



ARCHITECTURAL HARDWARE / HERRAJES ARQUITECTÓNICOS

DOOR PULLS / MANILLONES



LNS

MANUFACTURING



Who we are?

LNS Manufacturing is a proudly Mexican Owned and operated company located in the heart of Cancun. The factory was born out of the need and necessity to bring to the market an integration of services and top quality products.

In order to bring to the client the best and innovative products, we host an array of technologically advanced CNC, Laser, bending, and tooling machines that work in conjunction with our team of engineers in the design and creation of such products. These powerful machines are used to process metal for various applications around the world.

STAINLESS STEEL SPECIALISTS

We are committed to bringing to our clients only the best quality products with top-of-the-line finishes. We pride ourselves on providing quick lead times, private labeling, and competitive pricing.

PVD Finishes

We are leaders in Physical Deposition finishing, a process that bonds the finish to a product at the molecular level creating what is known as a Lifetime Finish which is highly durable and resistant to oxidation.



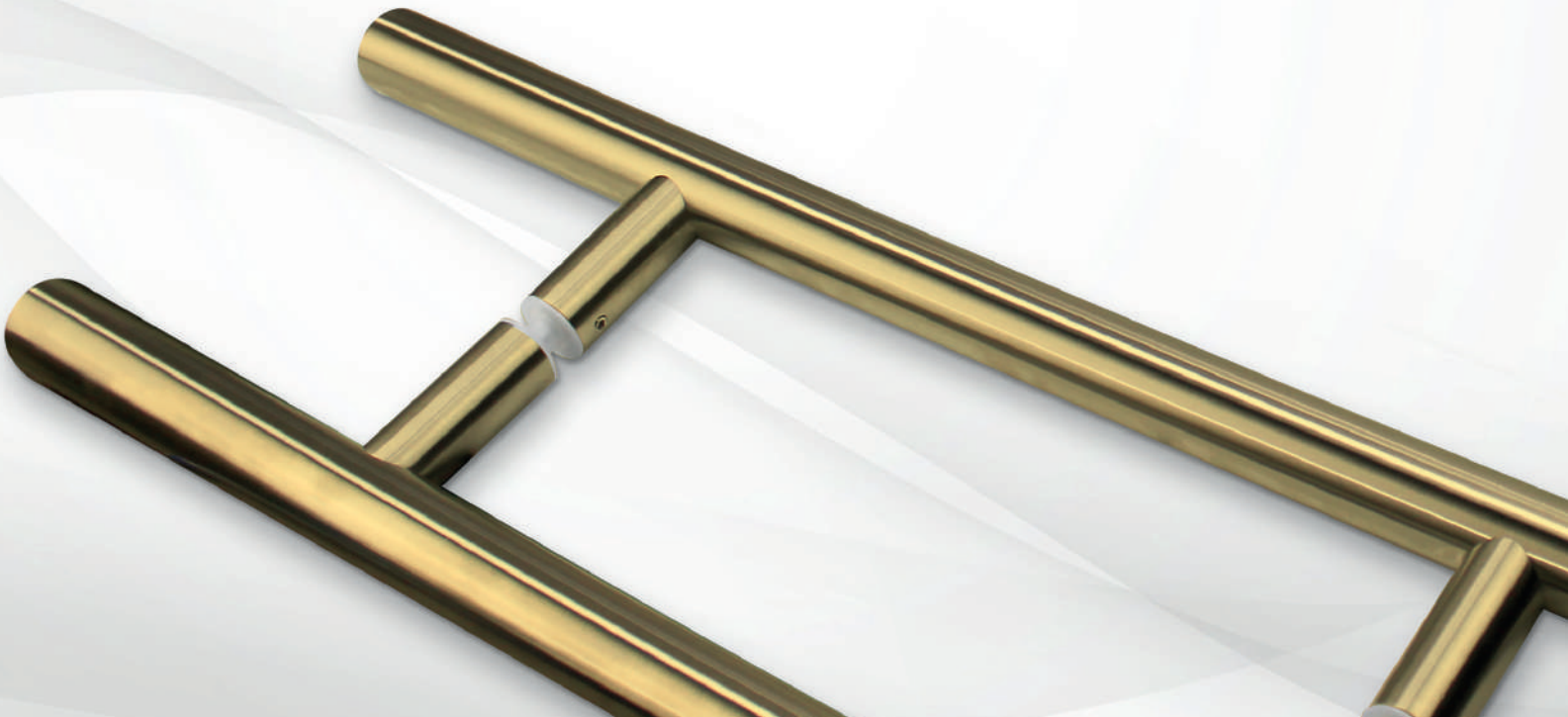


PVD Finishes

We are leader in Physical Vapor Deposition finishing, a state-of-the-art process that molecularly bonds the finish to the faucet creating the most durable finish available today. Comes with a lifetime warranty against tarnishing.

What does PVD stand for?

PVD stands for Physical Vapor Deposition. This state-of-the-art process creates a molecular bond to the faucet resulting in the most durable finish available today. Products with PVD finish will not corrode, discolor, or tarnish.

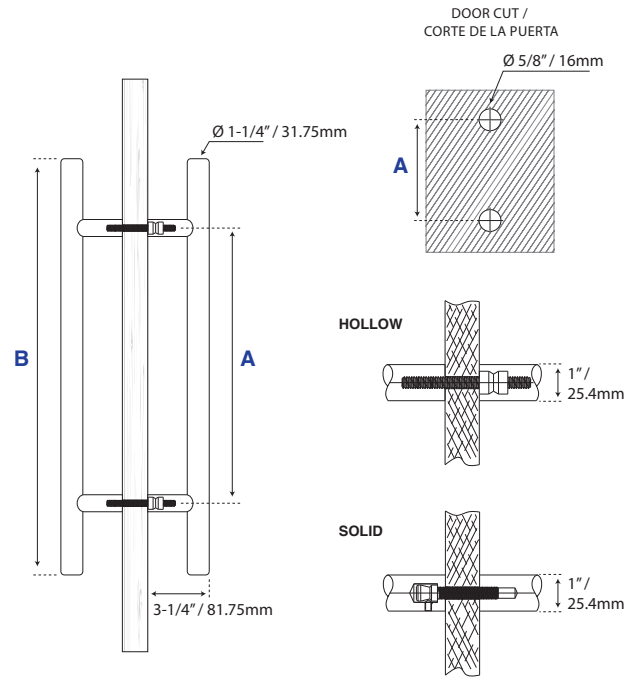


LNS
MANUFACTURING



OFFSET LADDER PULL L20

JALADERA PARA PUERTA L20



FEATURES / ESPECIFICACIONES:

- Ladder Pull
 - Material: Stainless Steel 304
 - Finish: Satin and Negro
 - Made of 1-1/4" (31.75mm) 304 grade Stainless Steel tubing
 - Supplied with (2) SOLID 304 Stainless Steel 304 mid post
 - Requires two 5/8" diameter holes
 - For use Wood doors 1-3/8" a 2-1/4" thick
 - Includes screws
- Manillón tipo "H"
 - Material: Acero Inoxidable 304
 - Acabados: Satín o Negro
 - Fabricado con tubo de 1-1/4" (31.75mm) de Acero Inoxidable 304
 - Patas sólidas (2) de acero inoxidable 304
 - Requiere dos perforaciones de 16mm
 - Para puertas de Madera con un espesor de 35 a 57mm
 - Incluye tornillos

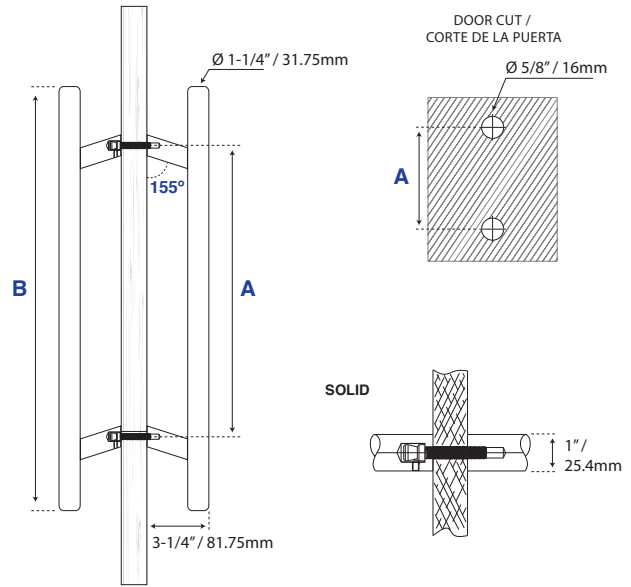
FINISH / ACABADO	INTERIOR	EXTERIOR	SET	SIZE / MEDIDA (A)	SIZE / MEDIDA (B)
● SATIN US32D ● BLACK/NEGRO	L2012X24SS-IN	L2012X24SS-EXT	L2012X24SS-SET L2012X24NE-SET	12" / 305mm	24" / 610mm
● SATIN US32D	L2018X30SS-IN	L2018X30SS-EXT	L2018X30SS-SET	18" / 457mm	30" / 762mm
● SATIN US32D ● BLACK/NEGRO	L2024X36SS-IN	L2024X36SS-EXT	L2024X36SS-SET L2024X36NE-SET	24" / 610mm	36" / 914mm
● SATIN US32D	L2030X42SS-IN	L2030X42SS-EXT	L2030X42SS-SET	30" / 762mm	42" / 1067mm
● SATIN US32D ● BLACK/NEGRO	L2036X48SS-IN	L2036X48SS-EXT	L2036X48SS-SET L2036X48NE-SET	36" / 914mm	48" / 1219mm
● SATIN US32D	L2042X54SS-IN	L2042X54SS-EXT	L2042X54SS-SET	42" / 1067mm	54" / 1372mm
● SATIN US32D ● BLACK/NEGRO	L2048X60SS-IN	L2048X60SS-EXT	L2048X60SS-SET L2048X60NE-SET	48" / 1219mm	60" / 1524mm
● SATIN US32D	L2054X66SS-IN	L2054X66SS-EXT	L2054X66SS-SET	54" / 1372mm	66" / 1676mm
● SATIN US32D ● BLACK/NEGRO	L2060X72SS-IN	L2060X72SS-EXT	L2060X72SS-SET L2060X72NE-SET	60" / 1524mm	72" / 1829mm
● SATIN US32D	L2066X78SS-IN	L2066X78SS-EXT	L2066X78SS-SET	66" / 1676mm	78" / 1982mm
● SATIN US32D ● BLACK/NEGRO	L2072X84SS-IN	L2072X84SS-EXT	L2072X84SS-SET L2072X84NE-SET	72" / 1829mm	84" / 2134mm

Custom sizes and finishes Available

PVD Finishes: ● Satin Brass / ● Rose Gold / ● GunMetal Grey / ● Blue / ● Iridescent / ● Black / ● Satin / ● Polished

OFFSET LADDER PULL L27

JALADERA PARA PUERTA L27



FEATURES / ESPECIFICACIONES:

- Offset Ladder Pull
 - Material: Stainless Steel 304
 - Finish: Satin and Negro
 - Made of 1-1/4" (31.75mm) 304 grade Stainless Steel tubing
 - Supplied with (2) SOLID 304 Stainless Steel 304 mid post
 - Requires two 5/8" diameter holes
 - For use Wood doors 1-3/8" a 2-1/4" thick
 - Includes screws
- Manillón tipo "H" con ángulo de 155°
 - Material: Acero Inoxidable 304
 - Acabados: Satín o Negro
 - Fabricado con tubo de 1-1/4" (31.75mm) de Acero Inoxidable 304
 - Patas sólidas (2) de acero inoxidable 304
 - Requiere dos perforaciones de 16mm
 - Para puertas de Madera con un espesor de 35 a 57mm
 - Incluye tornillos

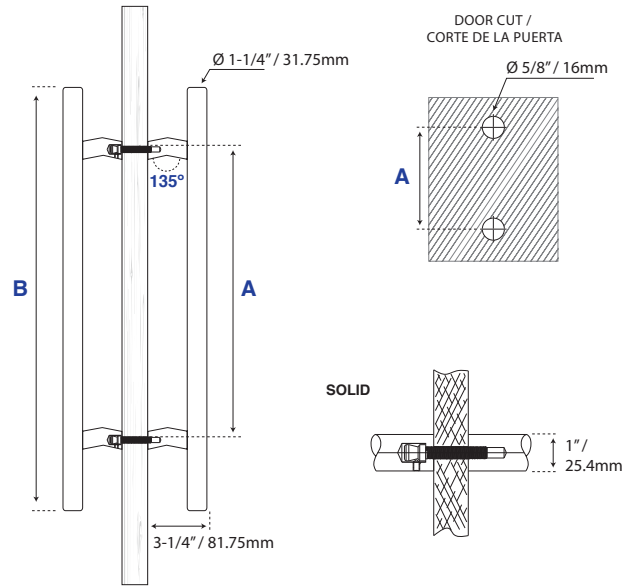
FINISH / ACABADO	INTERIOR	EXTERIOR	SET	SIZE / MEDIDA (A)	SIZE / MEDIDA (B)
● SATÍN US32D	L2712X24SS-IN	L2712X24SS-EXT	L2712X24SS-SET	12" / 305mm	24" / 610mm
● SATÍN US32D	L2718X30SS-IN	L2718X30SS-EXT	L2718X30SS-SET	18" / 457mm	30" / 762mm
● SATÍN US32D	L2724X36SS-IN	L2724X36SS-EXT	L2724X36SS-SET	24" / 610mm	36" / 914mm
● SATÍN US32D	L2730X42SS-IN	L2730X42SS-EXT	L2730X42SS-SET	30" / 762mm	42" / 1067mm
● SATÍN US32D	L2736X48SS-IN	L2736X48SS-EXT	L2736X48SS-SET	36" / 914mm	48" / 1219mm
● SATÍN US32D	L2742X54SS-IN	L2742X54SS-EXT	L2742X54SS-SET	42" / 1067mm	54" / 1372mm
● SATÍN US32D	L2748X60SS-IN	L2748X60SS-EXT	L2748X60SS-SET	48" / 1219mm	60" / 1524mm
● SATÍN US32D	L2754X66SS-IN	L2754X66SS-EXT	L2754X66SS-SET	54" / 1372mm	66" / 1676mm
● SATÍN US32D	L2760X72SS-IN	L2760X72SS-EXT	L2760X72SS-SET	60" / 1524mm	72" / 1829mm
● SATÍN US32D	L2766X78SS-IN	L2766X78SS-EXT	L2766X78SS-SET	66" / 1676mm	78" / 1982mm
● SATÍN US32D	L2772X84SS-IN	L2772X84SS-EXT	L2772X84SS-SET	72" / 1829mm	84" / 2134mm

Custom sizes and finishes Available

PVD Finishes: ● Satin Brass / ● Rose Gold / ● GunMetal Grey / ● Blue / ● Iridescent / ● Black / ● Satin / ● Polished

OFFSET LADDER PULL L42

JALADERA PARA PUERTA L42



FEATURES / ESPECIFICACIONES:

- Mounted Offset Ladder Pull
- Material: Stainless Steel 304
- Finish: Satin and Negro
- Made of 1-1/4" (31.75mm) 304 grade Stainless Steel tubing
- Supplied with (2) SOLID 304 Stainless Steel 304 mid post
- Requires two 5/8" diameter holes
- For use Wood doors 1-3/8" a 2-1/4" thick
- Includes screws
- Manillón tipo "H" con ángulo de 135°
- Material: Acero Inoxidable 304
- Acabados: Satin o Negro
- Fabricado con tubo de 1-1/4" (31.75mm) de Acero Inoxidable 304
- Patas sólidas (2) de acero inoxidable 304
- Requiere dos perforaciones de 16mm
- Para puertas de Madera con un espesor de 35 a 57mm
- Incluye tornillos

FINISH / ACABADO	INTERIOR	EXTERIOR	SET	SIZE / MEDIDA (A)	SIZE / MEDIDA (B)
● SATIN US32D	L4212X24SS-IN	L4212X24SS-EXT	L4212X24SS-SET	12" / 305mm	24" / 610mm
● SATÍN US32D	L4224X36SS-IN	L4224X36SS-EXT	L4224X36SS-SET	24" / 610mm	36" / 914mm
● SATÍN US32D	L4236X48SS-IN	L4236X48SS-EXT	L4236X48SS-SET	36" / 914mm	48" / 1219mm
● SATÍN US32D	L4248X60SS-IN	L4248X60SS-EXT	L4248X60SS-SET	48" / 1219mm	60" / 1524mm
● SATÍN US32D	L4260X72SS-IN	L4260X72SS-EXT	L4260X72SS-SET	60" / 1524mm	72" / 1829mm

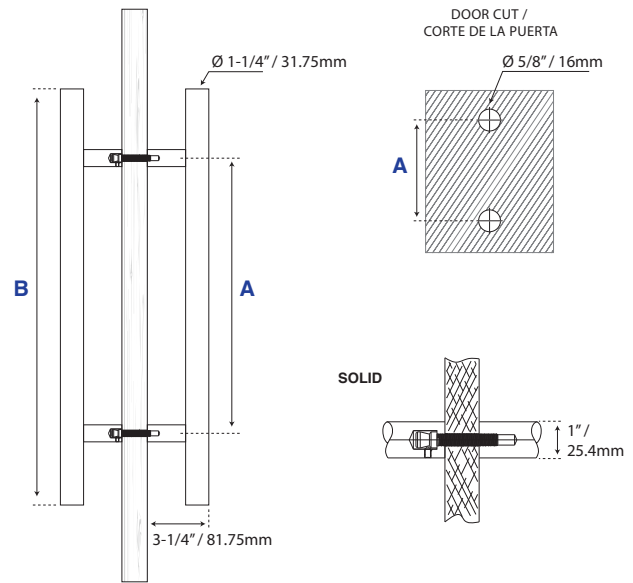
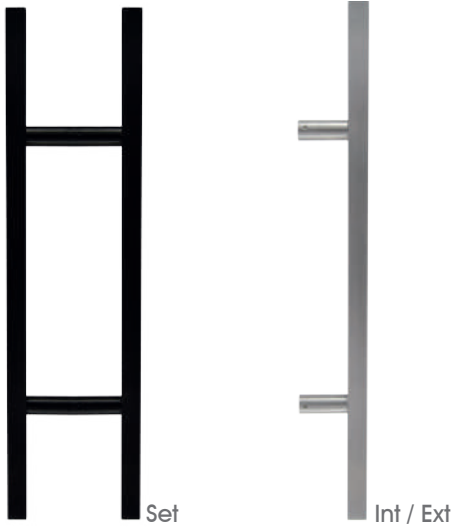
FINISH / ACABADO	INTERIOR	EXTERIOR	SET	SIZE / MEDIDA (A)	SIZE / MEDIDA (B)
● SATIN US32D	-	-	CHCP042-500SSS	19" / 500mm	31" / 800mm
● SATÍN US32D	-	-	CHCP042-500PSS	19" / 500mm	31" / 800mm
● SATÍN US32D	-	-	CHCP042-800SSS	31" / 800mm	47" / 1200mm

Custom sizes and finishes Available

PVD Finishes: ● Satin Brass / ● Rose Gold / ● GunMetal Grey / ● Blue / ● Iridescent / ● Black / ● Satin / ● Polished

SQUARE LADDER PULL L40

JALADERA PARA PUERTA - CUADRADO L40



FEATURES / ESPECIFICACIONES:

- Ladder Pull
 - Material: Stainless Steel 304
 - Finish: Satin and Negro
 - Made of 1-1/4" (31.75mm) 304 grade Stainless Steel tubing
 - Supplied with (2) SOLID 304 Stainless Steel 304 mid post
 - Requires two 5/8" diameter holes
 - For use Wood doors 1-3/8" a 2-1/4" thick
 - Includes screws
- Manillón cuadrado tipo "H"
 - Material: Acero Inoxidable 304
 - Acabados: Satín o Negro
 - Fabricado con tubo de 1-1/4" (31.75mm) de Acero Inoxidable 304
 - Patas sólidas (2) de acero inoxidable 304
 - Requiere dos perforaciones de 16mm
 - Para puertas de Maderaciones con un espesor de 35 a 57mm
 - Incluye tornillos

FINISH / ACABADO	INTERIOR	EXTERIOR	SET	SIZE / MEDIDA (A)	SIZE / MEDIDA (B)
● SATIN US32D	L4012X24SS-IN	L4012X24SS-EXT	L4012X24SS-SET	12" / 305mm	24" / 610mm
● SATÍN US32D	L4024X36SS-IN	L4024X36SS-EXT	L4024X36SS-SET	24" / 610mm	36" / 914mm
● SATÍN US32D	L4036X48SS-IN	L4036X48SS-EXT	L4036X48SS-SET	36" / 914mm	48" / 1219mm
● SATÍN US32D	L4048X60SS-IN	L4048X60SS-EXT	L4048X60SS-SET	48" / 1219mm	60" / 1524mm
● SATÍN US32D	L4060X72SS-IN	L4060X72SS-EXT	L4060X72SS-SET	60" / 1524mm	72" / 1829mm

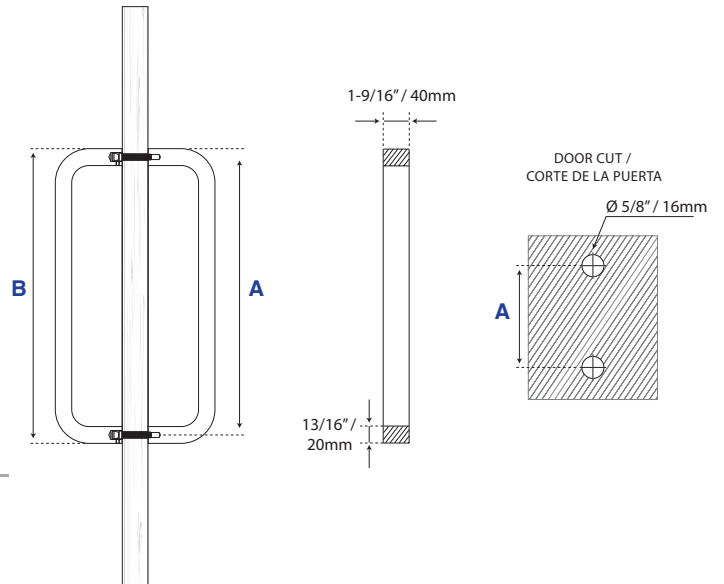
PVD Finishes: ● Satin Brass / ● Rose Gold / ● GunMetal Grey / ● Blue / ● Iridescent / ● Black / ● Satin / ● Polished



All measurements are approximate / Las medidas son aproximadas

DOOR PULL L30

JALADERA PARA PUERTA L30



FEATURES / ESPECIFICACIONES:

- "C" Rounded Corner Pull
- Material: Stainless Steel 304
- Finish: Satin, Polished and Black
- Requires two 3/8" diameter holes
- For use Wood doors 1-3/8" a 2-1/4" thick
- Includes screws
- Manillón tipo "H" con ángulo de 135°
- Material: Acero Inoxidable 304
- Acabados: Satin o Negro
- Requiere dos perforaciones de 10mm
- Para puertas de Madera con un espesor de 35 a 57mm
- Incluye tornillos

FINISH / ACABADO	SET	SIZE / MEDIDA (A)	SIZE / MEDIDA (B) ☒	SIZE / MEDIDA (C) ☒	SIZE / MEDIDA (B)
● SATIN US32D	CHCP030-500SSS	19" / 500mm	1-9/16" / 40mm	13/16" / 20mm	20-1/16" / 510mm
● SATÍN US32D ● BLACK / NEGRO ● POLISHED / PULIDO	CHCP030-800SSS CHCP030-800PSS CHCP030-800NSS	31" / 800mm	1-9/16" / 40mm	13/16" / 20mm	31-7/8" / 810mm

PVD Finishes: ● Satin Brass / ● Rose Gold / ● GunMetal Grey / ● Blue / ● Iridescent / ● Black / ● Satin / ● Polished



All measurements are approximate / Las medidas son aproximadas

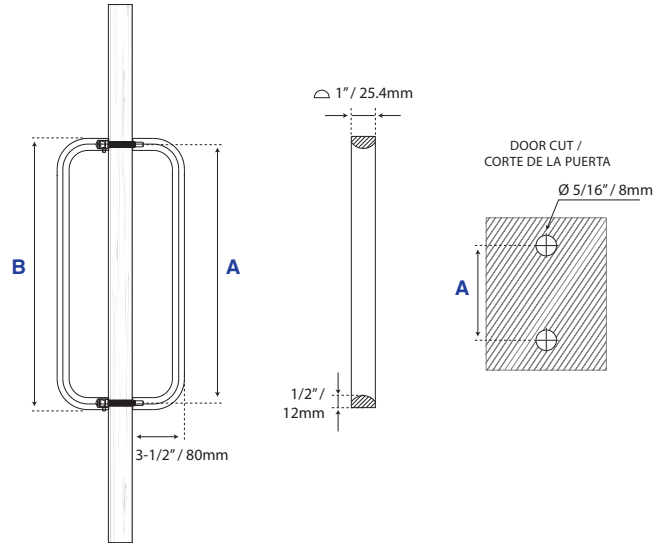
PVD Finishes:

● Satin Brass / ● Rose Gold / ● GunMetal Grey / ● Blue / ● Iridescent / ● Black / ● Satin / ● Polished

SOLID DOOR PULL W8105

MANILLÓN SÓLIDO W8105

SOLID



FEATURES / ESPECIFICACIONES:

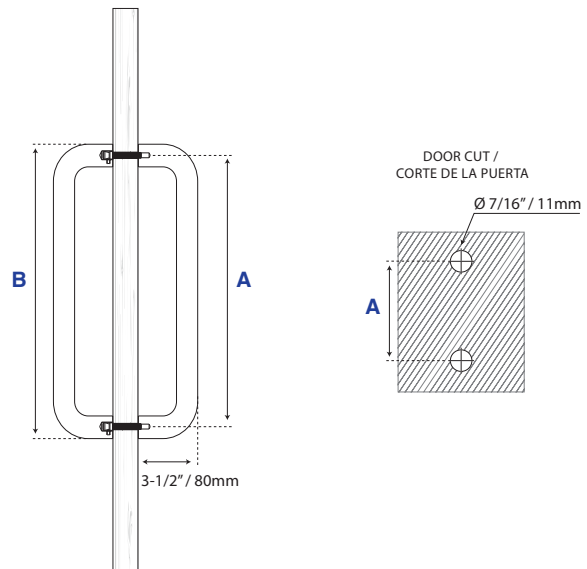
- "C" Solid flat pull
- Material: Solid Stainless Steel 304
- Finish: Satin
- Single-side (Exterior)
- Requires two 5/16" diameter holes
- For use Wood doors 1-3/8" a 2-1/4" thick
- Includes screws
- Manillón sólido tipo "C"
- Material: Acero Inoxidable 304
- Acabados: Satin
- Manillón solo en Exterior
- Requiere dos perforaciones de 8mm
- Para puertas de Madera con un espesor de 35 a 57mm
- Incluye tornillos

FINISH / ACABADO	CODE / CÓDIGO	SIZE / MEDIDA (A)	HALF ROUND / MEDIO CIRCULO	
● SATIN US32D	W8105-6	6" / 152mm	1" / 25mm	1
● SATIN US32D	W8105-8	8" / 203mm	1" / 25mm	1
● SATIN US32D	W8105-10	10" / 254mm	1" / 25mm	1

SOLID DOOR PULL W8103HD

MANILLÓN SÓLIDO W8103HD

SOLID



FEATURES / ESPECIFICACIONES:

- "C" Solid tubular pull
- Material: Solid Stainless Steel 304
- Finish: Satin
- Single-side (Exterior)
- Requires two 7/16" diameter holes
- For use Wood doors 1-3/8" a 2-1/4" thick
- Includes screws
- Manillón sólido tipo "C"
- Material: Acero Inoxidable 304
- Acabados: Satin
- Manillón solo en Exterior
- Requiere dos perforaciones de 11mm
- Para puertas de Madera con un espesor de 35 a 57mm
- Incluye tornillos

FINISH / ACABADO	CODE / CÓDIGO	SIZE / MEDIDA (A)	SIZE / MEDIDA (Ø)	
● SATIN US32D	W8103HD-8	6" / 152mm	1" / 25mm	1
● SATIN US32D	W8103HD-10	10" / 254mm	1" / 25mm	1
● SATIN US32D	W8103HD-12	12" / 304mm	1" / 25mm	1
● SATIN US32D	W8103HD-33	33" / 838mm	1" / 25mm	1

PVD Finishes:

- *Satin Brass* / ● *Rose Gold* / ● *GunMetal Grey* / ● *Blue* / ● *Iridescent* / ● *Black* / ● *Satin* / ● *Polished*

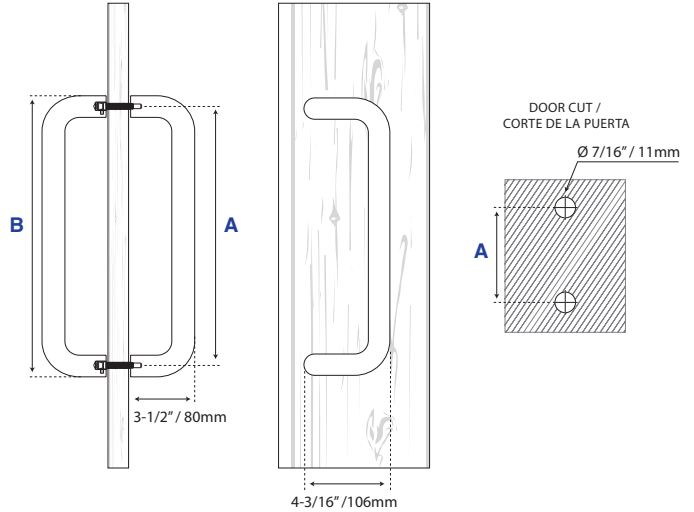
SOLID DOOR PULL W8190HD

MANILLÓN SÓLIDO W8190HD

SOLID



Screws M8
Tornillos M8



FEATURES / ESPECIFICACIONES:

- | | |
|--|---|
| <ul style="list-style-type: none"> · Offset Commercial Solid Pull · Material: Solid Stainless Steel 304 · Finish: Satin · Single-side (Exterior) · Requires two 7/16" diameter holes · For use Wood doors 1-3/8" a 2-1/4" thick · Includes screws | <ul style="list-style-type: none"> · Manillón sólido para entrada · Material: Acero Inoxidable 304 · Acabados: Satin · Manillón solo en Exterior · Requiere dos perforaciones de 11mm · Para puertas de Madera con un espesor de 35 a 57mm · Incluye tornillos |
|--|---|

FINISH / ACABADO	CODE / CÓDIGO	SIZE / MEDIDA (A)	SIZE / MEDIDA (Ø)	
● SATIN US32D	W8190HD-8	6" / 152mm	1" / 25mm	1
● SATIN US32D	W8190HD-10	10" / 254mm	1" / 25mm	1
● SATIN US32D	W8190HD-12	12" / 304mm	1" / 25mm	1

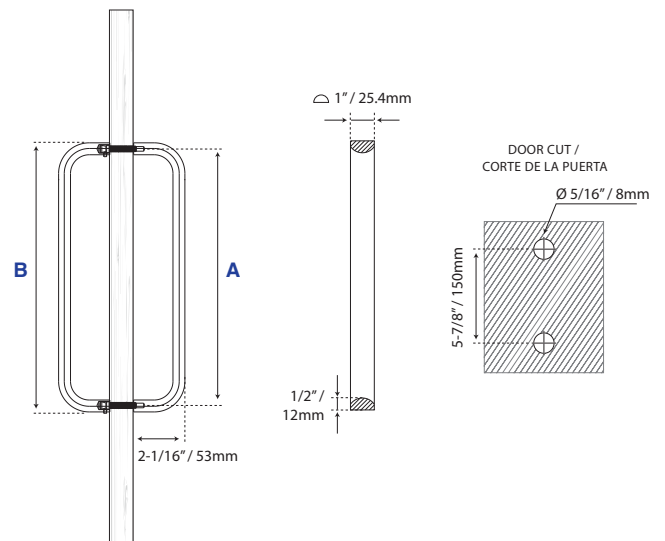
DOOR PULL VS-043

MANILLÓN VS-043

SOLID



Screws M6
Tornillos M6



FEATURES / ESPECIFICACIONES:

- | | |
|---|---|
| <ul style="list-style-type: none"> · "C" Solid flat pull · Material: Solid Stainless Steel 304 · Finish: Satin · Single-side (Exterior) · Requires two 5/16" diameter holes · For use Wood doors 1-3/8" a 1-3/4" thick · Includes screws | <ul style="list-style-type: none"> · Manillón sólido tipo "C" · Material: Acero Inoxidable Sólido 304 · Acabados: Satin · Manillón solo en Exterior · Requiere dos perforaciones de 8mm · Para puertas de Madera con un espesor de 35 a 45mm · Incluye tornillos |
|---|---|

FINISH / ACABADO	EXTERIOR	SIZE / MEDIDA (E) x (D) ∩	SIZE / MEDIDA (A)	SIZE / MEDIDA (B)
● SATIN US32D	VS-043SS	1/2" x 1" / 12 x 25.4mm	5-7/8" / 150mm	6-7/16" / 164mm

All measurements are approximate / Las medidas son aproximadas

PVD Finishes:

● Satin Brass / ● Rose Gold / ● GunMetal Grey / ● Blue / ● Iridescent / ● Black / ● Satin / ● Polished

DOOR PULL L31

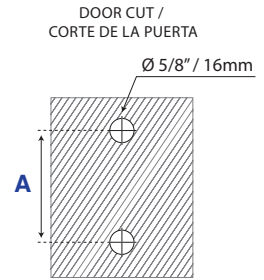
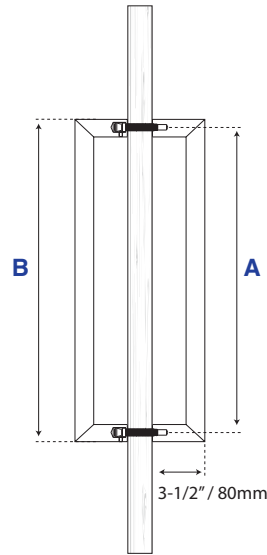
MANILLÓN L31



Set



Int / Ext

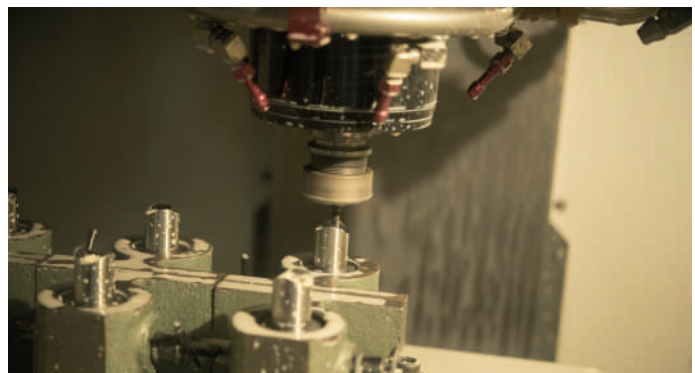


FEATURES / ESPECIFICACIONES:

- Offset Commercial Solid Pull
- Material: Solid Stainless Steel 304
- Finish: Satin, polished and Black
- Set (Int / Ext)
- Requires two 5/8" diameter holes
- For use Wood doors 1-3/8" a 2-1/4" thick
- Includes screws
- Manillón tubular con ángulo de 90°
- Material: Acero Inoxidable 304
- Acabados: Satin, pulido y Negro
- Manillón doble
- Requiere dos perforaciones de 16mm
- Para puertas de Madera con un espesor de 35 a 57mm
- Incluye tornillos

FINISH / ACABADO	INTERIOR	EXTERIOR	SET	SIZE / MEDIDA (A)	SIZE / MEDIDA (B)
● SATIN US32D	L3112SS-IN	L3112SS-EXT	L3112SS-SET	12" / 305mm	13-1/4" / 336mm
● SATIN US32D	L3124SS-IN	L3124SS-EXT	L3124SS-SET	24" / 610mm	25-1/4" / 641mm
● SATIN US32D	L3136SS-IN	L3136SS-EXT	L3136SS-SET	36" / 914mm	37-1/4" / 945mm
● SATIN US32D	L3148SS-IN	L3148SS-EXT	L3148SS-SET	48" / 1219mm	49-1/4" / 1250mm
● SATIN US32D	L3160SS-IN	L3160SS-EXT	L3160SS-SET	60" / 1524mm	61-1/4" / 1555mm

FINISH / ACABADO	INTERIOR	EXTERIOR	SET	SIZE / MEDIDA (A)	SIZE / MEDIDA (B)
● SATIN US32D	-	-	CHCP012-450SSS	17" / 450mm	18-1/4" / 481mm



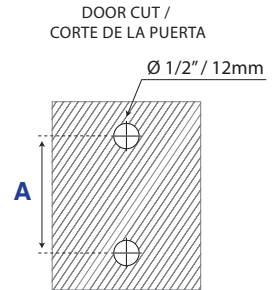
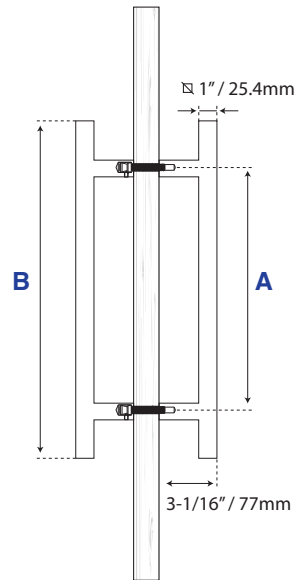
Disponibile en medidas y acabados personalizados
All measurements are approximate / Las medidas son aproximadas

PVD Finishes:

● Satin Brass / ● Rose Gold / ● GunMetal Grey / ● Blue / ● Iridescent / ● Black / ● Satin / ● Polished

DOOR PULL 30003500

MANILLÓN 30003500



FEATURES / ESPECIFICACIONES:

- | | |
|--|---|
| <ul style="list-style-type: none"> · Square ladder pull · Material: Solid Stainless Steel 304 · Finish: Satin and polished · Set (Int/ Ext) · Requires two 1/2" diameter holes · For use Wood doors 1-3/8" a 2-1/4" thick · Includes screws | <ul style="list-style-type: none"> · Manillón cuadrado tipo "H" · Material: Acero Inoxidable 304 · Acabados: Satin y pulido · Manillón doble (Int / Ext) · Requiere dos perforaciones de 12mm · Para puertas de Madera con un espesor de 35 a 57mm · Incluye tornillos |
|--|---|

FINISH / ACABADO	EXTERIOR	SIZE / MEDIDA (A)	SIZE / MEDIDA (B)	SIZE / MEDIDA (D) ☒
● SATIN US32D	30003500	11-13/16" / 300mm	19-11/16" / 500mm	1" / 25.4mm



Traditional Pull Handle

L186CP	Chrome	6" (152mm)	●	Center to Center
L186BN	Nickel	6" (152mm)	●	
L186ORB	Black	6" (152mm)	●	
L186BR	Brass	6" (152mm)	●	
L186MB	Matte black	6" (152mm)	●	
L188CP	Chrome	8" (203mm)	●	
L188BN	Nickel	8" (203mm)	●	
L188ORB	Black	8" (203mm)	●	
L188BR	Brass	8" (203mm)	●	

Glass Thickness: 1/4"-1/2" (6-12mm)
3/4" (19mm) Diameter Tubing

Finishes:
CP / Chrome
BN / Nickel
ORB / Black
BR / Brass
MB / Matt black



Ladder Pull Handle

L196x10CP	6" (152mm) x 10" (200mm)	●	Center to Center
L196x10BN	6" (152mm) x 10" (200mm)	●	
L196x10MB	6" (152mm) x 10" (200mm)	●	
L198x12CP	8" (203mm) x 12" (300mm)	●	
L198x12BN	8" (203mm) x 12" (300mm)	●	
L198x12MB	8" (203mm) x 12" (300mm)	●	

Glass Thickness: 1/4"-1/2" (6-12mm)
3/4" (19mm) Diameter Tubing

Finishes:
CP / Chrome
BN / Nickel
MB / Matt black



Square Pull Handle

L176CP	Chrome	6" (152mm)	●	Center to Center
L176BN	Nickel	6" (152mm)	●	
L176ORB	Black	6" (152mm)	●	
L176BR	Brass	6" (152mm)	●	
L178CP	Chrome	8" (203mm)	●	
L178BN	Nickel	8" (203mm)	●	
L178ORB	Black	8" (203mm)	●	

Glass Thickness: 1/4"-1/2" (6-12mm)
3/4" (19mm) Diameter Tubing

Finishes:
CP / Chrome
BN / Nickel
ORB / Black
BR / Brass



Mitered Pull Handle

L166CP	Chrome	6" (152mm)	●	Center to Center
L166BN	Nickel	6" (152mm)	●	
L168CP	Chrome	8" (203mm)	●	
L168BN	Nickel	8" (203mm)	●	

Glass Thickness: 1/4"-1/2" (6-12mm)
3/4" (19mm) Diameter Tubing

Finishes:
CP / Chrome
BN / Nickel

SPECIFICATIONS

Glass Thickness: 1/4" - 15/32" (6-12mm) Tempered Safety Glass

Hole Diameter: 1/2" (12mm)

Material: Stainless steel / Finishes: CP, BN



Traditional Pull handle/ Towel Bar Combo

L186X18CP	6"(152mm) & 19"(483mm)	●
L186X18BN	6"(152mm) & 19"(483mm)	●
L186X18MB	6"(152mm) & 19"(483mm)	●
L186X8X18CP	8"(203mm) & 18"(457mm)	●
L186X8X18BN	8"(203mm) & 18"(457mm)	●
L186X8X18MB	8"(203mm) & 18"(457mm)	●

Glass Thickness: 1/4"-1/2" (6-12mm)
3/4" (19mm) Diameter Tubing
Hole Diameter: 1/2" (12mm)

Finishes:
CP / Chrome
BN/Nickel
MB / Matte Black



Square Pull handle/ Towel Bar Combo

L176X8X18CP	6"(152mm) & 18"(457mm)	●
L176X8X18BN	6"(152mm) & 18"(457mm)	●
L176X8X18MB	6"(152mm) & 18"(457mm)	●

Glass Thickness: 1/4"-1/2" (6-12mm)
3/4" (19mm) Diameter Tubing
Hole Diameter: 1/2" (12mm)

Finishes:
CP / Chrome
BN / Nickel
MB / Matte Black



Mitered Pull handle / Towel Bar Combo

L166X18CP	6"(152mm) & 18"(457mm)	●
L166X18BN	6"(152mm) & 18"(457mm)	●

Glass Thickness: 1/4"-1/2" (6-12mm)
3/4" (19mm) Diameter Tubing
Hole Diameter: 1/2" (12mm)

Finishes:
CP / Chrome
BN / Nickel



Standard single-sided Towel Bar

L18S18CP	18"(457mm)	●	Center to Center
L18S18BN	18"(457mm)	●	
L18S22CP	22"(559mm)	●	
L18S22BN	22"(559mm)	●	
L18S24CP	24"(610mm)	●	
L18S24BN	24"(610mm)	●	

Glass Thickness: 1/4"-1/2" (6-12mm)
3/4" (19mm) Diameter Tubing
Hole Diameter: 1/2" (12mm)

Finishes:
CP / Chrome
BN / Nickel



Standard Tubular back-to-back Towel Bar

L18D18CP	18"(457mm)	●	Center to Center
L18D18BN	18"(457mm)	●	
L18D22CP	22"(559mm)	●	
L18D22BN	22"(559mm)	●	
L18D24CP	24"(610mm)	●	
L18D24BN	24"(610mm)	●	

Glass Thickness: 1/4"-1/2" (6-12mm)
3/4" (19mm) Diameter Tubing
Hole Diameter: 1/2" (12mm)

Finishes:
CP / Chrome
BN / Nickel



Square Single-Sided Towel Bar

L17S18CP	18"(457mm)	●	Center to Center
L17S18BN	18"(457mm)	●	
L17S24CP	24"(610mm)	●	
L17S24BN	24"(610mm)	●	

Glass Thickness: 1/4"-1/2" (6-12mm)
3/4" (19mm) Diameter Tubing
Hole Diameter: 1/2" (12mm)

Finishes:
CP / Chrome
BN / Nickel



Standard Square back-to-back Towel Bar

L17D18CP	18"(457mm)	●	Center to Center
L17D18BN	18"(457mm)	●	
L17D24CP	24"(610mm)	●	
L17D24BN	24"(610mm)	●	

Glass Thickness: 1/4"-1/2" (6-12mm)
3/4" (19mm) Diameter Tubing
Hole Diameter: 1/2" (12mm)

Finishes:
CP / Chrome
BN / Nickel

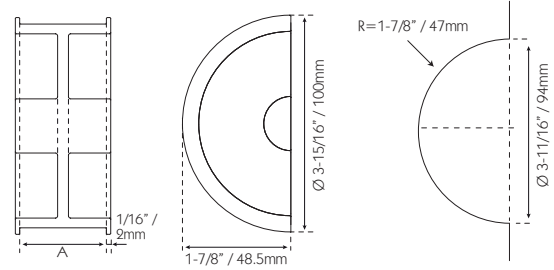
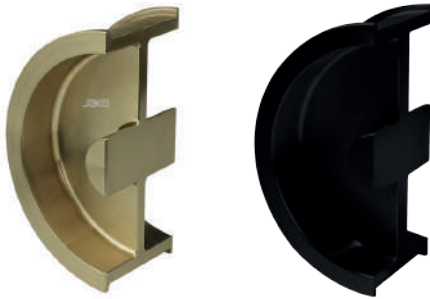


PVD Finishes:

- *Satin Brass* / ● *Rose Gold* / ● *GunMetal Grey* / ● *Blue* / ● *Iridescent* / ● *Black* / ● *Satin* / ● *Polished*

“COPOLA” POCKET DOOR HANDLE

JALADERA DE EMBUTIR “CUPOLA”



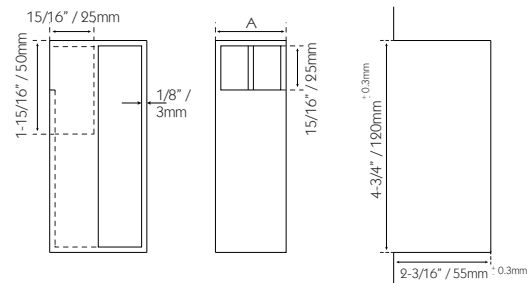
FEATURES / ESPECIFICACIONES:

- Material: Stainless steel 304
- Finish: Black and Satin
- Inlay; Wood cutting required
- For use Wood doors (1-3/8" - 2-3/8") thick
- Material: Acero Inoxidable 304
- Acabados: Negro y Satin
- Embutido; Requiere corte en la puerta
- Para puertas de Madera con un espesor de (35 a 60mm)

FINISH / ACABADO	CODE / CÓDIGO	SIZE / MEDIDA (A)	
● SATIN US32D	W3250-35	1-3/8" / 35mm	1
● SATIN US32D	W3250-40	9-1/16" / 40mm	1
● SATIN US32D	W3250-45	1-3/4" / 45mm	1
● SATIN US32D	W3250-50	2" / 50mm	1
● SATIN US32D	W3250-60	2-3/8" / 60mm	1
● BLACK / NEGRO	W3250-35	1-3/8" / 35mm	1
● BLACK / NEGRO	W3250-40	9-1/16" / 40mm	1
● BLACK / NEGRO	W3250-45	1-3/4" / 45mm	1
● BLACK / NEGRO	W3250-50	2" / 50mm	1
● BLACK / NEGRO	W3250-60	2-3/8" / 60mm	1

“W4251” POCKET DOOR HANDLE

JALADERA “OVALE”



FEATURES / ESPECIFICACIONES:

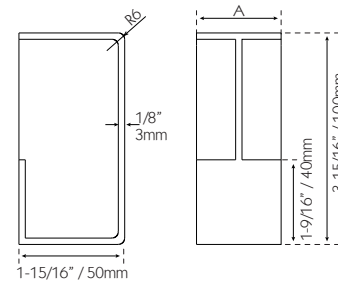
- Material: Stainless steel 304
- Finish: Black and Satin
- Inlay; Wood cutting required
- For use Wood doors (1-3/8" - 2") thick
- Material: Acero Inoxidable 304
- Acabados: Negro y Satin
- Embutido; Requiere corte en la puerta
- Para puertas de Madera con un espesor de (35 a 50mm)

Also available in black finish / Disponible en acabado negro ● MB

FINISH / ACABADO	CODE / CÓDIGO	SIZE / MEDIDA (A)	
● SATIN US32D	W4251-35	1-3/8" / 35mm	1
● SATIN US32D	W4251-38	1-1/2" / 38mm	1
● SATIN US32D	W4251-40	9-1/16" / 40mm	1
● SATIN US32D	W4251-45	1-3/4" / 45mm	1
● SATIN US32D	W4251-50	2" / 50mm	1

“OVALE” POCKET DOOR HANDLE

JALADERA “OVALE”



FEATURES / ESPECIFICACIONES:

- Material: Stainless steel 304
- Finish: Black and Satin
- Inlay; Wood cutting required
- For use Wood doors (1-3/8" - 2-3/8") thick
- Material: Acero Inoxidable 304
- Acabados: Negro y Satin
- Embutido; Requiere corte en la puerta
- Para puertas de Madera con un espesor de (35 a 60mm)

Also available in black finish / Disponible en acabado negro ● MB

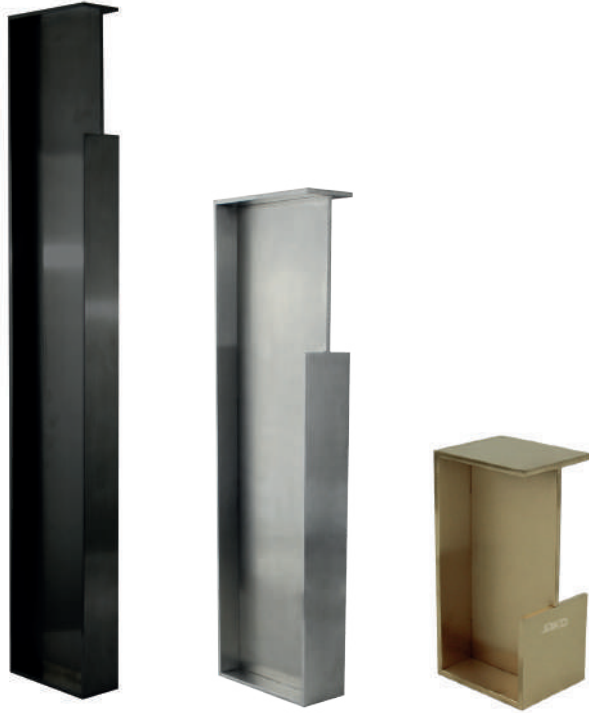
FINISH / ACABADO	CODE / CÓDIGO	SIZE / MEDIDA (A)	
● SATIN US32D	W4250-10	3/8" / 10mm	1
● SATIN US32D	W4250-35	1-3/8" / 35mm	1
● SATIN US32D	W4250-40	9-1/16" / 40mm	1
● SATIN US32D	W4250-45	1-3/4" / 45mm	1
● SATIN US32D	W4250-50	2" / 50mm	1

PVD Finishes:

● Satin Brass / ● Rose Gold / ● GunMetal Grey / ● Blue / ● Iridescent / ● Black / ● Satin / ● Polished

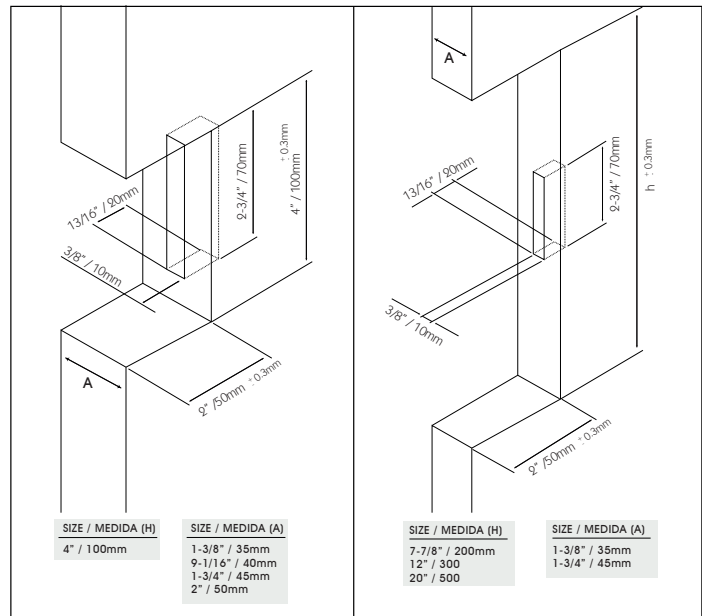
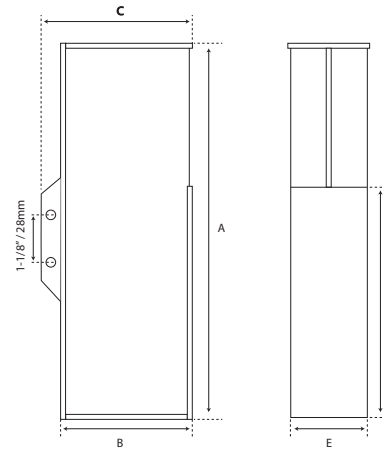
“W4254” POCKET DOOR HANDLE

JALADERA “W4254”



FEATURES / ESPECIFICACIONES:

- Material: Stainless steel 304
- Finish: Black and Satin
- Inlay; Wood cutting required
- For use Wood doors (1-3/8" - 2") thick
- Material: Acero Inoxidable 304
- Acabados: Negro y Satin
- Embutido; Requiere corte en la puerta
- Para puertas de Madera con un espesor de (35 a 50mm)



FINISH / ACABADO	CODE / CÓDIGO	SIZE / MEDIDA (A)	SIZE / MEDIDA (B)	SIZE / MEDIDA (C)	SIZE / MEDIDA (D)	SIZE / MEDIDA (E)	
● SATIN US32D BLACK / NEGRO	W4254-100X35	4" / 100mm	2" / 50mm	2-3/8" / 60mm	1-9/16" / 40mm	1-3/8" / 35mm	1
● SATIN US32D BLACK / NEGRO	W4254-40	4" / 100mm	2" / 50mm	2-3/8" / 60mm	1-9/16" / 40mm	1-9/16" / 40mm	1
● SATIN US32D BLACK / NEGRO	W4254-100X45	4" / 100mm	2" / 50mm	2-3/8" / 60mm	1-9/16" / 40mm	1-3/4" / 45mm	1
● SATIN US32D BLACK / NEGRO	W4254-100X50	4" / 100mm	2" / 50mm	2-3/8" / 60mm	1-9/16" / 40mm	2" / 50mm	1
● SATIN US32D BLACK / NEGRO	W4254-200X35	7-7/8" / 200mm	3-3/8" / 85mm	3-3/4" / 95mm	4-5/16" / 110mm	1-3/8" / 35mm	1
● SATIN US32D BLACK / NEGRO	W4254-200X45	7-7/8" / 200mm	3-3/8" / 85mm	3-3/4" / 95mm	4-5/16" / 110mm	1-3/4" / 45mm	1
● SATIN US32D BLACK / NEGRO	W4254-300X35	11-13/16" / 300mm	3-3/8" / 85mm	3-3/4" / 95mm	8-1/4" / 210mm	1-3/8" / 35mm	1
● SATIN US32D BLACK / NEGRO	W4254-300X45	11-13/16" / 300mm	3-3/8" / 85mm	3-3/4" / 95mm	8-1/4" / 210mm	1-3/4" / 45mm	1
● SATIN US32D BLACK / NEGRO	W4254-500X35	11-13/16" / 500mm	3-3/8" / 85mm	3-3/4" / 95mm	16-1/8" / 410mm	1-3/8" / 35mm	1
● SATIN US32D BLACK / NEGRO	W4254-500X45	11-13/16" / 500mm	3-3/8" / 85mm	3-3/4" / 95mm	16-1/8" / 410mm	1-3/4" / 45mm	1

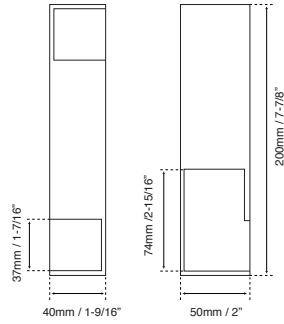


PVD Finishes:

● Satin Brass / ● Rose Gold / ● GunMetal Grey / ● Blue / ● Iridescent / ● Black / ● Satin / ● Polished

POCKET DOOR HANDLE

JALADERA DE EMBUTIR



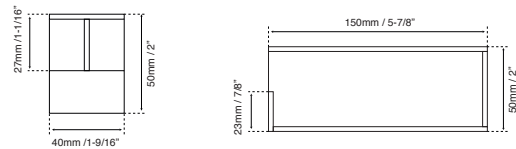
FEATURES / ESPECIFICACIONES:

- Material: Stainless steel 304
- Finish: Satin
- Inlay: Wood cutting required
- Material: Acero Inoxidable 304
- Acabados: Satin
- Embutido; Requiere corte en la puerta

FINISH / ACABADO	CODE / CÓDIGO	THICKNESS / ESPESOR DE LA PUERTA	
● SATIN	W4257-35	35mm / 1-3/8"	10/100
● SATIN	W4257-40	40mm / 1-9/16"	10/100
● SATIN	W4257-45	45mm / 1-3/4"	10/100
● SATIN	W4257-50	50mm / 2"	10/100

POCKET DOOR HANDLE

JALADERA DE EMBUTIR



FEATURES / ESPECIFICACIONES:

- Material: Stainless steel 304
- Finish: Satin
- Inlay: Wood cutting required
- For use Wood doors (1-3/8" - 2") thick
- Material: Acero Inoxidable 304
- Acabados: Satin
- Embutido; Requiere corte en la puerta
- Para puertas de Madera con un espesor de (35 a 50mm)

FINISH / ACABADO	CODE / CÓDIGO	THICKNESS / ESPESOR DE LA PUERTA	
● SATIN	W4258-35	35mm / 1-3/8"	10/100
● SATIN	W4258-40	40mm / 1-9/16"	10/100
● SATIN	W4258-45	45mm / 1-3/4"	10/100
● SATIN	W4258-50	50mm / 2"	10/100

All measurements are approximate / Las medidas son aproximadas

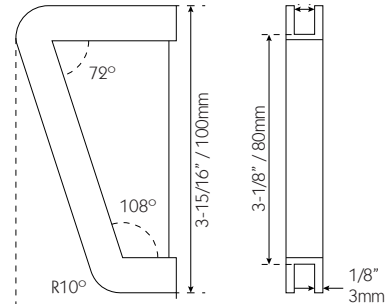


PVD Finishes:

- *Satin Brass* / ● *Rose Gold* / ● *GunMetal Grey* / ● *Blue* / ● *Iridescent* / ● *Black* / ● *Satin* / ● *Polished*

“MODERNO” POCKET DOOR HANDLE

JALADERA “MODERNO”



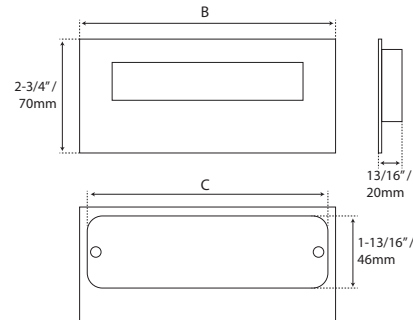
FEATURES / ESPECIFICACIONES:

- | | |
|--|--|
| <ul style="list-style-type: none"> · Material: Stainless steel 304 · Finish: Black and Satin · Inlay; Wood cutting required · For use Wood doors (1-3/8" - 2") thick | <ul style="list-style-type: none"> · Material: Acero Inoxidable 304 · Acabados: Negro y Satin · Embutido; Requiere corte en la puerta · Para puertas de Madera con un espesor de (35 a 50mm) |
|--|--|

FINISH / ACABADO	CODE / CÓDIGO	SIZE / MEDIDA (A)	📦
● SATIN US32D	W5251-35	1-3/8" / 35mm	1
● SATIN US32D	W5251-38	1-1/2" / 38mm	1
● SATIN US32D	W5251-40	9-1/16" / 40mm	1
● SATIN US32D	W5251-45	1-3/4" / 45mm	1
● SATIN US32D	W5251-50	2" / 50mm	1

“JK16410” DOOR HANDLE

MANILLÓN “JK16410”



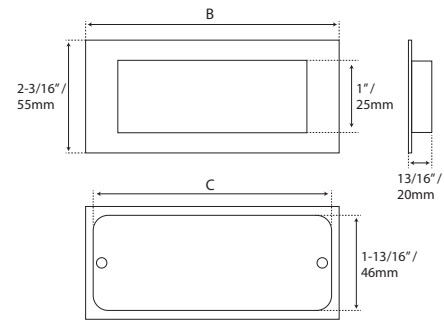
FEATURES / ESPECIFICACIONES:

- | | |
|--|---|
| <ul style="list-style-type: none"> · Material: Titanium · Finish: Copper · Inlay; Wood cutting required · For use Wood doors (1-3/8" - 2") thick | <ul style="list-style-type: none"> · Material: Titanio · Acabados: Cobre · Embutido; Requiere corte en la puerta · Para puertas de Madera con un espesor de (35 a 50mm) |
|--|---|

FINISH / ACABADO	CODE / CÓDIGO	SIZE / MEDIDA (B)	SIZE / MEDIDA (C)	📦
● COPPER / COBRE	JK16410TCO	5-5/16" / 135mm	4-15/16" / 125mm	1

“JK1641” DOOR HANDLE

MANILLÓN “JK1641”



FEATURES / ESPECIFICACIONES:

- | | |
|--|---|
| <ul style="list-style-type: none"> · Material: Titanium · Finish: Copper · Inlay; Wood cutting required · For use Wood doors (1-3/8" - 2") thick | <ul style="list-style-type: none"> · Material: Titanio · Acabados: Cobre · Embutido; Requiere corte en la puerta · Para puertas de Madera con un espesor de (35 a 50mm) |
|--|---|

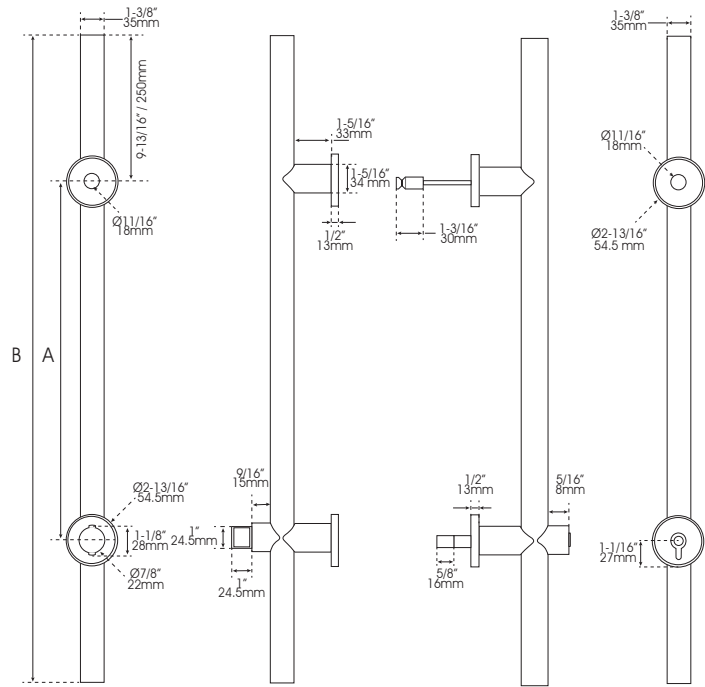
FINISH / ACABADO	CODE / CÓDIGO	SIZE / MEDIDA (B)	SIZE / MEDIDA (C)	📦
● COPPER / COBRE	JK16412TCO	5-5/16" / 135mm	4-15/16" / 125mm	1
● COPPER / COBRE	JK16416TCO	11-13/16" / 300mm	10-5/8" / 270mm	1

LOCKING DOOR PULL

MANILLÓN CON CERRADURA



MANILLÓN:

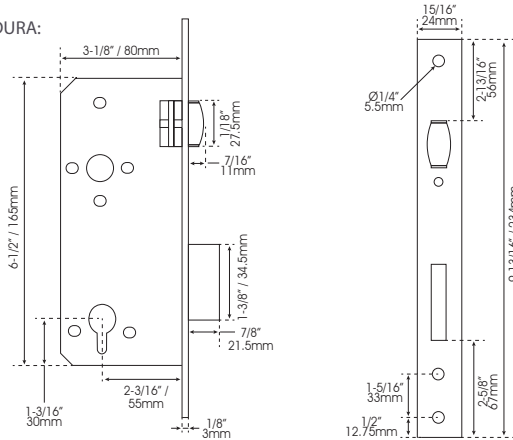


FEATURES / ESPECIFICACIONES:

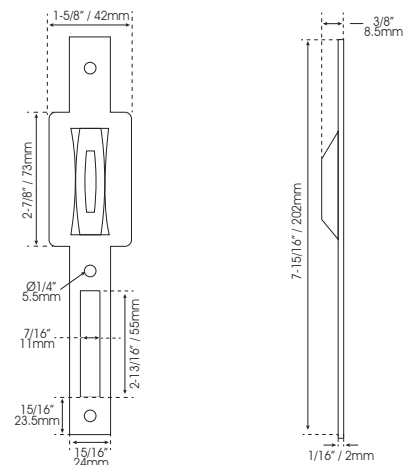
- Ideal for mail entrance
- Exclusive for 2" (50.8mm)
- Int/ Set
- Material: Stainless Steel 304
- Included: Key - Thumbtut cylinder, mechanism and 3 keys
- For wooden and metallic doors
- Ideal para Entrada principal
- Exclusivo para puertas de 2" (50.8mm)
- Int/ Set
- Material: Acero Inoxidable 304
- Incluye Cilindro Llave-Mariposa, Mecanismo y 3 llaves
- Para puertas de Madera y Aluminio

FINISH / ACABADO	CODE / CÓDIGO	SIZE / MEDIDA (A)	SIZE / MEDIDA (B)
● SATÍN US32D	CHCP203-500	19-11/16" / 500mm	39-3/8" / 1000mm

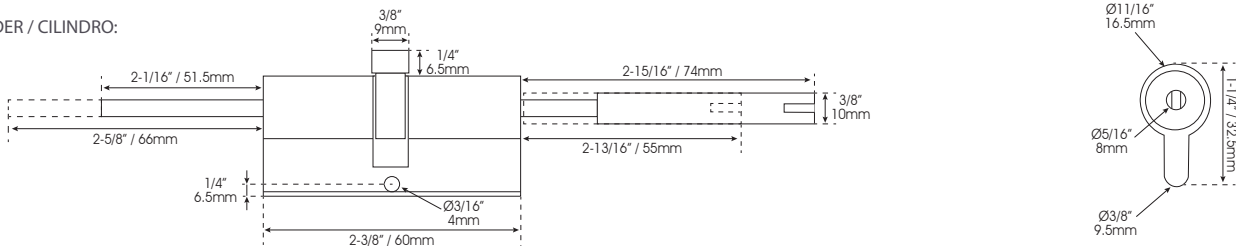
LOCK / CERRADURA:



STRIKE / CONTRA:

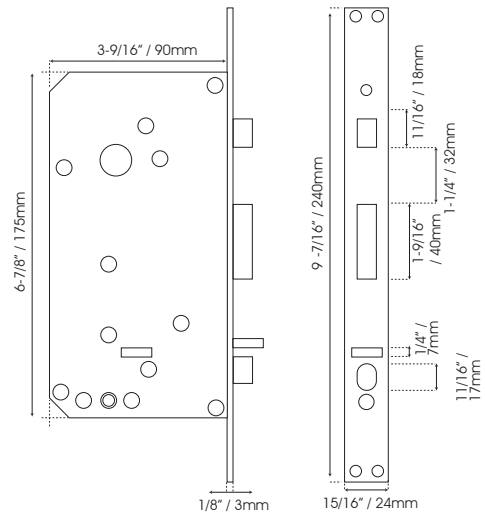


CYLINDER / CILINDRO:



DIGITAL FINGERPRINT LOCKING DOOR PULL

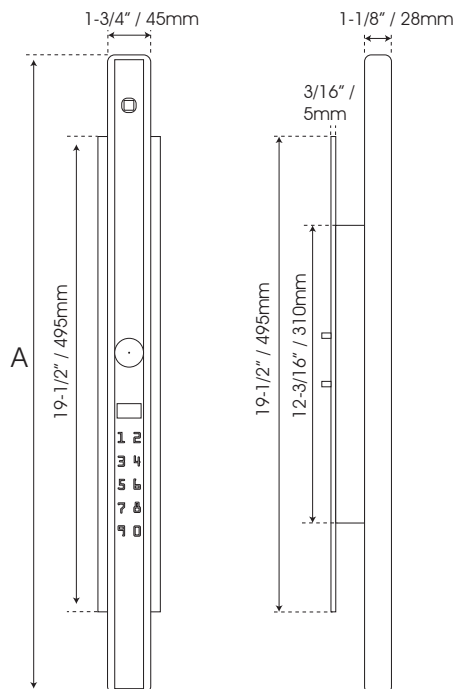
MANILLÓN / CERRADURA CON HUELLA DIGITAL



CHARACTERISTICS / CARACTERÍSTICAS:

- Door pulls featuring a digital fingerprint mechanism and 5 cards
 - Suitable for wooden doors.
 - Door opens with fingerprint recognition
 - Can register up to 200 fingerprint recognition
 - Password register: up to 16 passwords from 4 to 8 digits
 - External USB power supply
 - Unique theft-proof mechanism.
 - When the door is closed correctly
 - Door thickness: Min 1-3/4" (45mm) - Max 2-3/8" (60mm)
- Manillón huella digital con mecanismo y 5 tarjetas
 - Apertura de la puerta con reconocimiento de huella
 - Se pueden registrar hasta 200 huellas y 100 tarjetas
 - Registro de contraseña hasta 16 contraseñas de 4 a 8 dígitos
 - Fuente de alimentación externa de USB
 - Mecanismo único a prueba de robo
 - Cuando se cierra la puerta correctamente la cerradura se bloqueará automáticamente
 - Espesor de la puerta min. 45mm - máx. 60mm (1-3/4" - 2-3/8")

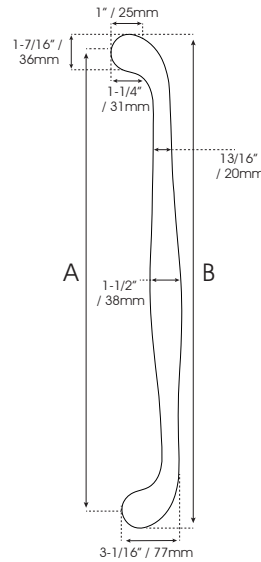
FINISH / ACABADO	CODE / CÓDIGO	SIZE / MEDIDA (A)
● SILVER/PLATA	MAN10-130S	51-9/16" / 1310mm
● SILVER/PLATA	MAN10-60S	26-3/16" / 665mm



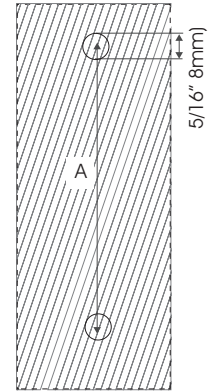
All measurements are approximate / Las medidas son aproximadas

SOLID BRASS RUSTIC DOOR PULL

MANILLÓN RÚSTICO DE LATÓN SÓLIDO "78882H"



DOOR CUT /
CORTE DE LA PUERTA



FEATURES / ESPECIFICACIONES:

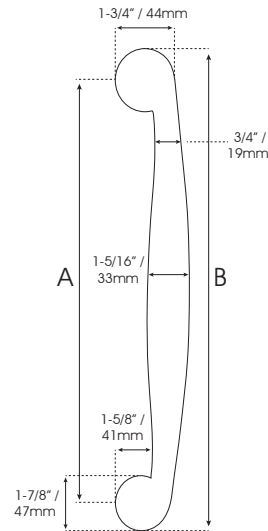
- Material: Bronze
- Single-side (Exterior)
- Requires two 9/16" diameter holes
- For use Wood / Aluminum doors (1-3/8" - 2-1/4") thick
- Included screws

- Material: Bronze
- Manillón solo de exterior
- Requiere dos perforaciones de 14mm
- Para puertas de Madera / Aluminio con un espesor de (35 a 57mm)
- Incluye tornillos

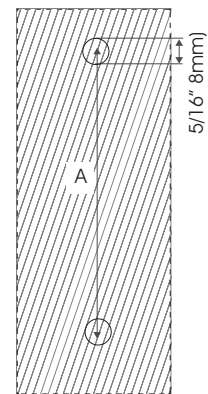
FINISH / ACABADO	CODE / CÓDIGO	SIZE / MEDIDA (A)	SIZE / MEDIDA (B)	
● NEGRO	78882H24ORB	23" / 583mm	25-3/8" / 644.5mm	1

SOLID BRASS RUSTIC DOOR PULL

MANILLÓN RÚSTICO DE LATÓN SÓLIDO "78884H"



DOOR CUT /
CORTE DE LA PUERTA



FEATURES / ESPECIFICACIONES:

- Material: Bronze
- Single-side (Exterior)
- Requires two 5/16" diameter holes
- For use Wood / Aluminum doors (1-3/8" - 2-1/4") thick
- Included screws

- Material: Bronze
- Manillón solo Exterior
- Requiere dos perforaciones de 8mm
- Para puertas de Madera / Aluminio con un espesor de (35 a 57mm)
- Incluye tornillos

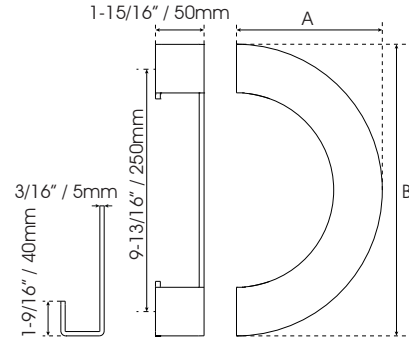
FINISH / ACABADO	CODE / CÓDIGO	SIZE / MEDIDA (A)	SIZE / MEDIDA (B)	
● NEGRO	78884H16ORB	13-3/4" / 350.5mm	15-5/8" / 397mm	1

LNS
MANUFACTURING



“MEIA” HEAVY DUTY DOOR PULL

MANILLÓN “MEIA”



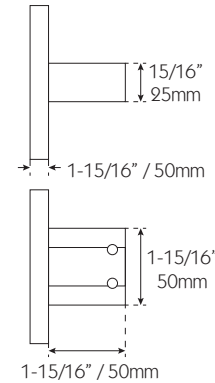
FEATURES / ESPECIFICACIONES:

- Material: Stainless steel 304
- Set (Int /Ext)
- Requires two 9/16" diameter holes
- For use Wood / Aluminum doors (1-3/8" - 2-1/4") thick
- Included screws
- Material: Acero Inoxidable 304
- Manillón doble (Int / Ext)
- Requiere dos perforaciones de 14mm
- Para puertas de Madera / Aluminio con un espesor de (35 a 57mm)
- Incluye tornillos

FINISH / ACABADO	CODE / CÓDIGO	SIZE / MEDIDA (A)	SIZE / MEDIDA (B)	
● SATIN US32D	JK07011D	9-13/16" / 250mm	11-13/16" / 300mm	1
● NEGRO	JK07011DMB	9-13/16" / 250mm	11-13/16" / 300mm	1

“DISCO” HEAVY DUTY DOOR PULL

MANILLÓN “DISCO”



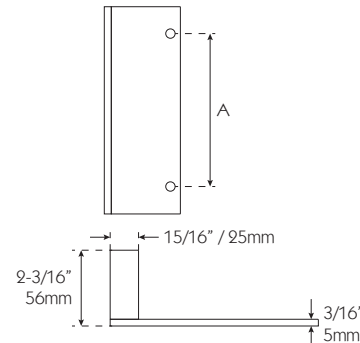
FEATURES / ESPECIFICACIONES:

- Material: Stainless steel 304
- Set (Int /Ext)
- Requires two 5/16" diameter holes
- For use Wood / Aluminum doors (1-3/8" a 2-1/4") thick
- Included screws
- Material: Acero Inoxidable 304
- Manillón doble (Int / Ext)
- Requiere dos perforaciones de 8mm
- Para puertas de Madera / Aluminio con un espesor de (35 a 57mm)
- Incluye tornillos

FINISH / ACABADO	CODE / CÓDIGO	SIZE / MEDIDA (Ø)	
● SATIN US32D	JK00165D	3-15/16" / 100mm	1
● NEGRO	JK00165DMB	3-15/16" / 100mm	1

“PALETE” HEAVY DUTY DOOR PULL

MANILLÓN “PALETE”



FEATURES / ESPECIFICACIONES:

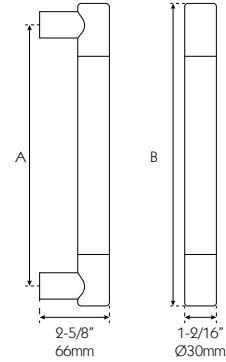
- Material: Stainless steel 304
- Set (Int /Ext)
- Requires two 5/16" diameter holes
- For use Wood / Aluminum doors (1-3/8" a 2-1/4") thick
- Included screws
- Material: Acero Inoxidable 304
- Manillón doble (Int / Ext)
- Requiere dos perforaciones de 8mm
- Para puertas de Madera / Aluminio con un espesor de (35 a 57mm)
- Incluye tornillos

FINISH / ACABADO	CODE / CÓDIGO	SIZE / MEDIDA (A)	SIZE / MEDIDA (B)	
● SATIN US32D	JK07500D	4" / 100mm	5-7/8" / 150mm	1



“COURO” DOOR PULL

MANILLÓN “COURO”



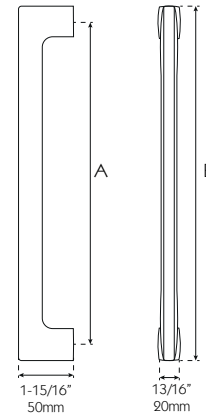
FEATURES / ESPECIFICACIONES:

- Material: Stainless steel 304 / Teflon
- Set (Int /Ext)
- Requires two 5/8" diameter holes
- For use Wood / Aluminum doors (1-3/8" - 2-1/4") thick
- Included screws
- Material: Acero Inoxidable 304 / Teflón
- Manillón doble (Int / Ext)
- Requiere dos perforaciones de 16mm
- Para puertas de Madera / Aluminio con un espesor de (35 a 57mm)
- Incluye tornillos

FINISH / ACABADO	CODE / CÓDIGO	SIZE / MEDIDA (A)	SIZE / MEDIDA (B)	
SATIN US32D	JK07185D	9-13/16" / 250mm	11-13/16" / 300mm	1

“MITRA” DOOR PULL

MANILLÓN “MITRA”



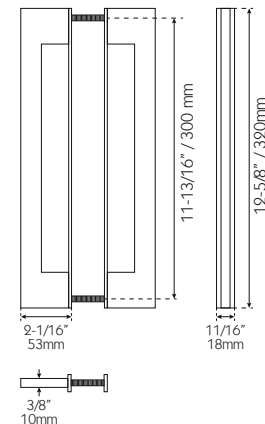
FEATURES / ESPECIFICACIONES:

- Material: Titanium
- Finish: Black, Gold, Copper
- Set (Int /Ext)
- Requires two 5/8" diameter holes
- For use Wood / Aluminum doors (1-3/8" - 2-1/4") thick
- Included screws
- Material: Titanio
- Acabados: Negro, Oro, Cobre
- Manillón doble (Int / Ext)
- Requiere dos perforaciones de 16mm
- Para puertas de Madera / Aluminio con un espesor de (35 a 57mm)
- Incluye tornillos

FINISH / ACABADO	CODE / CÓDIGO	SIZE / MEDIDA (A)	SIZE / MEDIDA (B)	
BLACK/ NEGRO	JK07185DTB	11-13/16" / 300mm	13-1/16" / 332mm	1
GOLD/ ORO	JK07185DTG	11-13/16" / 300mm	13-1/16" / 332mm	1
COPPER/ COBRE	JK07185DTO	11-13/16" / 300mm	13-1/16" / 332mm	1

“FINO” DOOR PULL

MANILLÓN “FINO”



FEATURES / ESPECIFICACIONES:

- Material: Titanium and Stainless steel 304
- Finish: Black, Gold, Copper
- Set (Int /Ext)
- Requires two 3/8" diameter holes
- For use Wood / Aluminum doors (1-3/8" - 2-1/4") thick
- Included screws
- Material: Titanio & Acero Inoxidable 304
- Acabados: Negro, Oro, Cobre
- Manillón doble (Int / Ext)
- Requiere dos perforaciones de 9.5mm
- Para puertas de Madera / Aluminio con un espesor de (35 a 57mm)
- Incluye tornillos

FINISH / ACABADO	MATERIAL BASE	CODE / CÓDIGO	SIZE / MEDIDA (A)	
SATIN US32D	STAINLESS STEEL 304/ ACERO INOXIDABLE	JK07432D	13-1/16" / 332mm	1
BLACK/ NEGRO	TITANIUM/ TITANIO	JK07432DTB	13-1/16" / 332mm	1

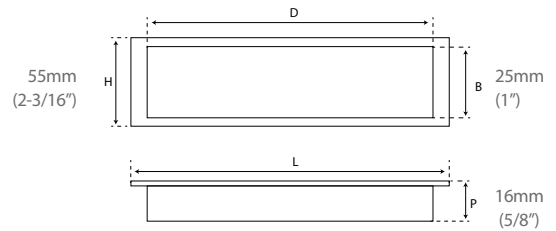
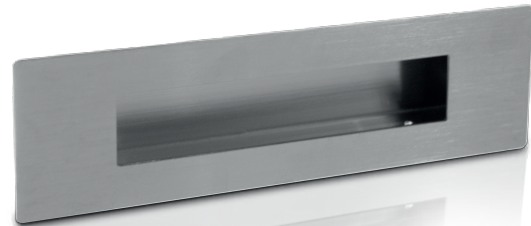
LNS
MANUFACTURING






LNS
MANUFACTURING

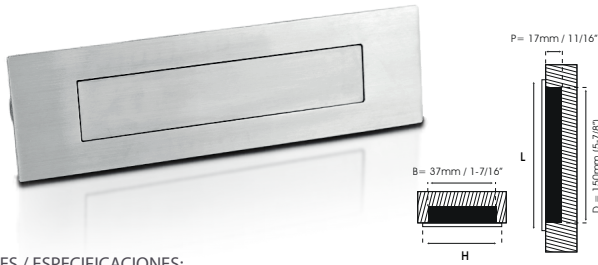
J903



Material: Stainless Steel 304 - Includes cut-out screws
 Material: Acero Inoxidable 304 - Incluye tornillos recortables

FINISH / ACABADO	CÓDIGO	SIZE / MEDIDA (L)	SIZE / MEDIDA (D)	
● Satin / Satin	J903-200SS	200mm (7-7/8")	130mm (5-1/8")	2/50
● Satin / Satin	J903-300SS	300mm (11-13/16")	228mm (9")	2/50
● Satin / Satin	J903-400SS	400mm (15-3/4")	330mm (13")	2/50
● Satin / Satin	J903-600SS	600mm (23-5/8")	533mm (21")	2/20
● Satin / Satin	J903-800SS	800mm (31-1/2")	740mm (29-1/8")	2/20
● Satin / Satin	J903-1000SS	1000mm (39-3/8")	936mm (36-7/8")	2/20
● Copper / Cobre	J903-200CSS	200mm (7-7/8")	130mm (5-1/8")	2/50
● Black / Negro	J903-200NSS	200mm (7-7/8")	130mm (5-1/8")	2/50

WFH116

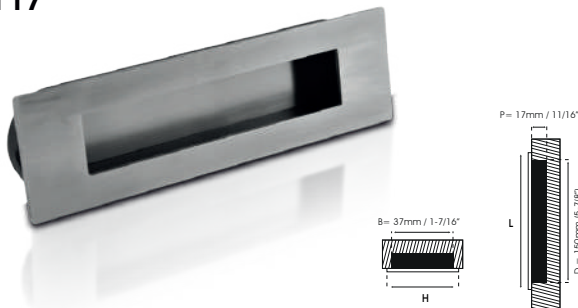


FEATURES / ESPECIFICACIONES:

- Material: Stainless steel 304, Black plastic
- Spring loaded cover
- Includes cut out screws
- Material: Acero Inoxidable 304, plastico negro
- Cubierta de resorte
- Incluye tornillos

FINISH / ACABADO	CODE / CÓDIGO	SIZE / MEDIDA (L)	SIZE / MEDIDA (H)	
● Satin / Satín	WFH116	154mm / 6-1/16"	45mm / 1-3/4"	10/100
● Polished / Pulido	WFH116PSS	154mm / 6-1/16"	45mm / 1-3/4"	10/100

WFH117

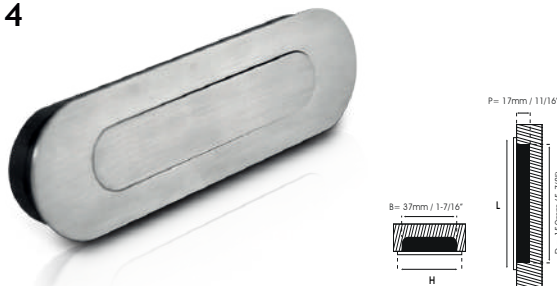


FEATURES / ESPECIFICACIONES:

- Material: Stainless steel 304, Black plastic
- Includes cut out screws
- Material: Acero Inoxidable 304, plastico negro
- Incluye tornillos

FINISH / ACABADO	CODE / CÓDIGO	SIZE / MEDIDA (L)	SIZE / MEDIDA (H)	
● Satin / Satín	WFH117	154mm / 6-1/16"	45mm / 1-3/4"	10/100
● Polished / Pulido	WFH117PSS	154mm / 6-1/16"	45mm / 1-3/4"	10/100

WFH114



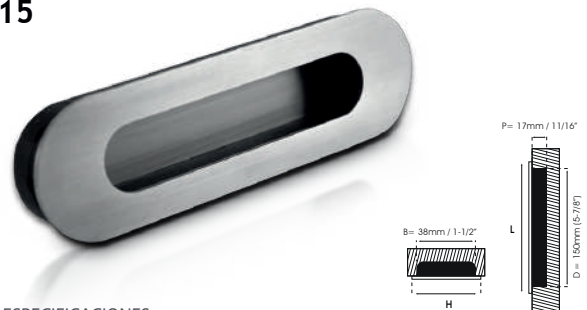
FEATURES / ESPECIFICACIONES:

- Material: Stainless steel 304, Black plastic
- Spring loaded cover
- Includes cut out screws
- Material: Acero Inoxidable 304, plastico negro
- Cubierta de resorte
- Incluye tornillos

FINISH / ACABADO	CODE / CÓDIGO	SIZE / MEDIDA (L)	SIZE / MEDIDA (H)	
● Satin / Satín	WFH114	154mm / 6-1/16"	45mm / 1-3/4"	10/100
● Polished / Pulido	WFH114PSS	154mm / 6-1/16"	45mm / 1-3/4"	10/100



WFH115



FEATURES / ESPECIFICACIONES:

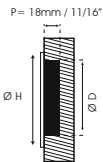
- Material: Stainless steel 304, Black plastic
- Includes cut out screws
- Material: Acero Inoxidable 304, plastico negro
- Incluye tornillos

FINISH / ACABADO	CODE / CÓDIGO	SIZE / MEDIDA (L)	SIZE / MEDIDA (H)	
● Satin / Satín	WFH115	154mm / 6-1/16"	45mm / 1-3/4"	10/140
● Polished / Pulido	WFH115PSS	154mm / 6-1/16"	45mm / 1-3/4"	10/140

POCKET DOOR HANDLES / JALADERAS DE EMBUTIR








WFH110

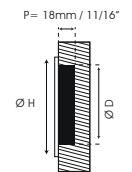


FEATURES / ESPECIFICACIONES:

- Material: Stainless steel 304, Black plastic
- Spring loaded cover
- Includes cut out screws






FINISH / ACABADO	CODE / CÓDIGO	SIZE / MEDIDA (D)	SIZE / MEDIDA (H)	
 Satin / Satin	WFH110X50	46mm / 1-13/16"	50mm / 2"	25/250
 Satin / Satin	WFH110X75	72mm / 2-13/16"	75mm / 3"	25/100
 Polished / Pulido	WFH110X50PSS	46mm / 1-13/16"	50mm / 2"	25/250
 Polished / Pulido	WFH110X75PSS	72mm / 2-13/16"	75mm / 3"	25/100

WFH111



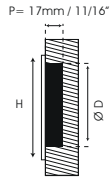
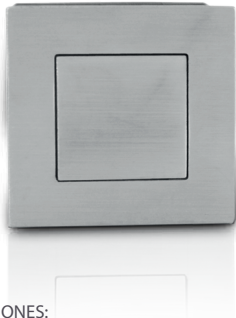
FEATURES / ESPECIFICACIONES:

- Material: Stainless steel 304, Black plastic
- Includes cut out screws

FINISH / ACABADO	CODE / CÓDIGO	SIZE / MEDIDA (D)	SIZE / MEDIDA (H)	
 Satin / Satin	WFH111X50	46mm / 1-13/16"	50mm / 2"	25/250
 Satin / Satin	WFH111X75	72mm / 2-13/16"	75mm / 3"	25/100
 Polished / Pulido	WFH111X50PSS	46mm / 1-13/16"	50mm / 2"	25/250
 Polished / Pulido	WFH111X75PSS	72mm / 2-13/16"	75mm / 3"	25/100

All measurements are approximate / Las medidas son aproximadas

WFH112

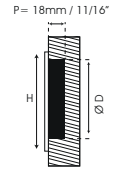


FEATURES / ESPECIFICACIONES:

- Material: Stainless steel 304, Black plastic
- Spring loaded cover
- Includes cut out screws

FINISH / ACABADO	CODE / CÓDIGO	SIZE / MEDIDA (D)	SIZE / MEDIDA (H)	
● Satin / Satín	WFH112X75	68mm / 2-11/16"	75mm / 3"	25/125
● Polished / Pulido	WFH112X75PSS	68mm / 2-11/16"	75mm / 3"	25/100

WFH113



FEATURES / ESPECIFICACIONES:

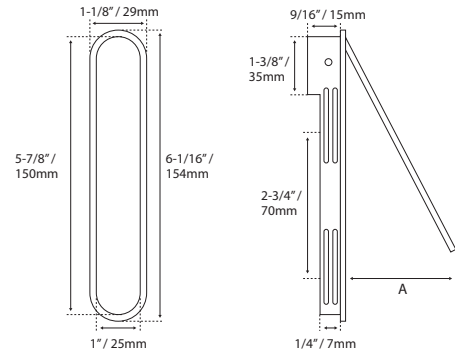
- Material: Stainless steel 304, Black plastic
- Includes cut out screws

FINISH / ACABADO	CODE / CÓDIGO	SIZE / MEDIDA (D)	SIZE / MEDIDA (H)	
● Satin / Satín	WFH113X75	68mm / 2-11/16"	75mm / 3"	10/100
● Polished / Pulido	WFH113X75PSS	68mm / 2-11/16"	75mm / 3"	10/100



CONCEALED FLUSH HANDLE

JALADERA DE EMBUTIR



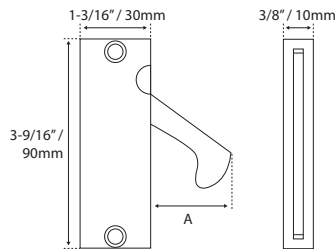
FEATURES / ESPECIFICACIONES:

- | | |
|--|---|
| <ul style="list-style-type: none"> · Material: Satainless Steel 304 · Finish: Satin · Inlay; Wood citting required · Flush handle to install on the front of sliding doors · Allows to collect the door fully between two walls · For use Wood doors 1-3/16" thick | <ul style="list-style-type: none"> · Material: Acero Inoxidable 304 · Acabados: Satin · Embutido; Requiere corte en la puerta · Para instalar en la parte frontal de las puertas · Permite tomar la puerta por completo entre dos paredes · Para puertas de Madera con un espesor de 30mm |
|--|---|

FINISH / ACABADO	CODE / CÓDIGO	SIZE / MEDIDA (A)	
SATIN US32D	JK16312	3-3/8" / 85mm	1

CONCEALED FLUSH HANDLE

JALADERA DE EMBUTIR



FEATURES / ESPECIFICACIONES:

- | | |
|---|---|
| <ul style="list-style-type: none"> · Material: Stainless Steel 304 · Finish: Satin · Inlay; Wood cutting required · Flush handle to install on the front of sliding doors · Allows to collect the door fully between two walls · For use Wood doors 1-3/16" thick | <ul style="list-style-type: none"> · Material: Acero Inoxidable 304 · Acabados: Satin · Embutido; Requiere corte en la puerta · Para instalar en la parte frontal de las puertas · Permite tomar la puerta por completo entre dos paredes · Para puertas de Madera con un espesor de 30mm |
|---|---|

FINISH / ACABADO	CODE / CÓDIGO	SIZE / MEDIDA (A)	
SATIN US32D	JK16317	1-7/8" / 47mm	1

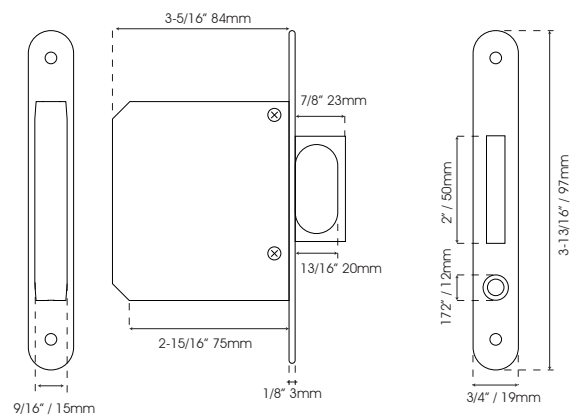
All measurements are approximate / Las medidas son aproximadas





POCKET DOOR EDGE PULL

JALADERA PARA PUERTA CORREDIZA



FEATURES / ESPECIFICACIONES:

- Ideal for residential use
- Material: Stainless Steel 304
- Finish: Satin
- For use Wood doors 1-3/8" thick
- Includes screws
- Ideal para uso residencial
- Material: Acero Inoxidable 304
- Acabados: Satin
- Para puertas de Madera con un espesor de 35
- Incluye tornillos

FINISH / ACABADO	CODE / CODIGO	SIZE / MEDIDA
● SATÍN US32D	CJ55HSS	6-1/4" / 159mm

All measurements are approximate / Las medidas son aproximadas

Need door handle that
DOESN'T required cutting
or drilling?

GLUseries

by JAKO Hardware

Can Solve your problems!

This collection provides style,
Durability, and best of all,
easy installation.

With a simple application of
adhesive, your job is done!

Necesitas una manija para tu
puerta que NO requiera corte
o perforación?

serie GLU

JAKO Hardware

Puede resolver tus problemas!

Esta colección proporciona estilo,
durabilidad, y lo mejor de todo,
Fácil instalación.

Con una simple aplicación
de adhesivo, tu trabajo esta hecho!



PVD Finishes:

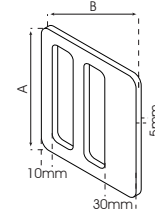
● Satin Brass / ● Rose Gold / ● GunMetal Grey / ● Blue / ● Iridescent / ● Black / ● Satin / ● Polished



"INCRISPATO"

SET	SIZE / MEDIDA (A)	SIZE / MEDIDA (B)
G01-100	4" (100mm)	1-9/16" (40mm)
G01-200	8" (200mm)	1-9/16" (40mm)

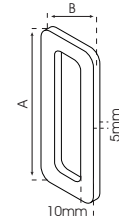
Incluye dedal



"RETTANGOLARE"

SET	SIZE / MEDIDA (A)	SIZE / MEDIDA (B)
G03-100	4" (100mm)	1-9/16" (40mm)
G03-200	8" (200mm)	1-9/16" (40mm)
G03-300	12" (300mm)	1-9/16" (40mm)

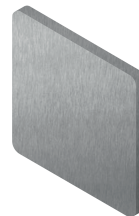
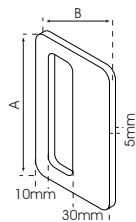
Incluye dedal



"FESSURA"

SET	SIZE / MEDIDA (A)	SIZE / MEDIDA (B)
G02-100	4" (100mm)	2-3/8" (60mm)
G02-200	8" (200mm)	2-3/8" (60mm)
G02-300	12" (300mm)	2-3/8" (60mm)

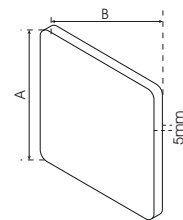
Incluye dedal



"PIAZZA"

SET	SIZE / MEDIDA (A)	SIZE / MEDIDA (B)
G15-70	2-6/8" (70mm)	2-6/8" (70mm)

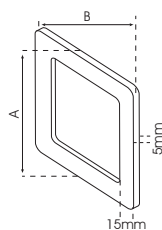
Incluye dedal



"QUADRATO"

SET	SIZE / MEDIDA (A)	SIZE / MEDIDA (B)
G13-100	4" (100mm)	4" (100mm)

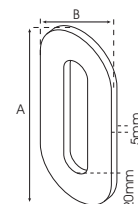
Incluye dedal



"PISTA"

SET	SIZE / MEDIDA (A)	SIZE / MEDIDA (B)
G17-100	4" (100mm)	2-3/8" (60mm)
G17-200	8" (200mm)	2-3/8" (60mm)
G17-300	12" (300mm)	2-3/8" (60mm)

Incluye dedal



PVD Finishes:

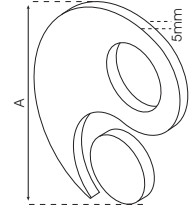
● Satin Brass / ● Rose Gold / ● GunMetal Grey / ● Blue / ● Iridescent / ● Black / ● Satin / ● Polished



"ARMONIA"

SET	SIZE / MEDIDA (A)
G12-100	4" (100mm)
G12-150	5-7/8" (150mm)

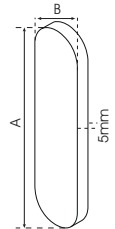
Incluye dedal



"OVALE SOLIDO"

SET	SIZE / MEDIDA (A)	SIZE / MEDIDA (B)
G18-160	6-3/8" (160mm)	3/4" (20mm)
G18-260	10-3/8" (260mm)	3/4" (20mm)

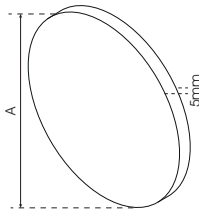
Incluye dedal



"CERCHIO"

SET	SIZE / MEDIDA (A)
G16-70	2-6/8" (70mm)

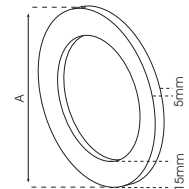
Incluye dedal



"SQILLARE"

SET	SIZE / MEDIDA (A)
G14-100	4" (100mm)

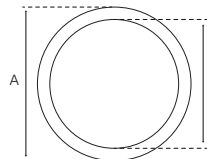
Incluye dedal



"JK16527"

SET	SIZE / MEDIDA (A)	SIZE / MEDIDA (B)
JK16527	2-9/16" (65mm)	2-3/16" (55mm)

Incluye dedal



NOTE:

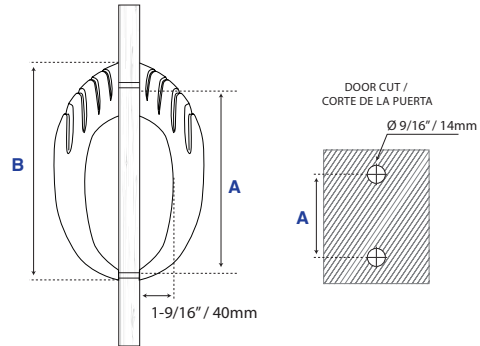
- Made of 304 grade Stainless Steel
- Includes two self adhesive handles
- Use with 3M adhesive; door cutting not required
- Hecho en Acero Inoxidable 304
- Incluyen 2 jaladeras autoadhesivas
- Incluye adhesivo 3M, No requiere corte en la puerta

PVD Finishes:

● Satin Brass / ● Rose Gold / ● GunMetal Grey / ● Blue / ● Iridescent / ● Black / ● Satin / ● Polished

DOOR PULLL CHC608

MANILLÓN CHC608



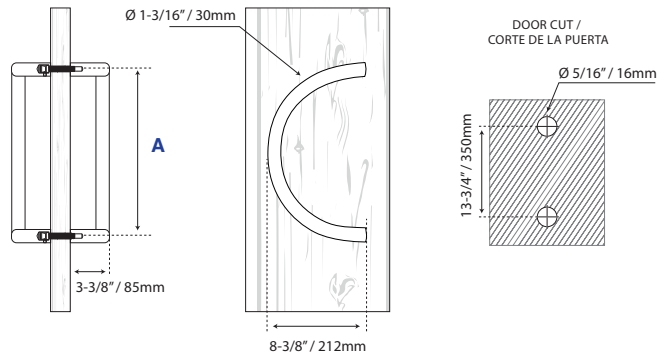
FEATURES / ESPECIFICACIONES:

- Material: Stainless Steel 304
- Finish: Satin
- Set (Int / Ext)
- Requires two 5/8" diameter holes
- For use Wood doors 1-3/8" a 2-1/4" thick
- Includes screws
- Material: Acero Inoxidable 304
- Acabados: Satin
- Manillón doble (Int / Ext)
- Requiere dos perforaciones de 16mm
- Para puertas de Madera con un espesor de 35 a 57mm
- Incluye tornillos

FINISH / ACABADO	CODE / CÓDIGO	SIZE / MEDIDA (A)	SIZE / MEDIDA (B)	
● SATIN US32D	CHC608	11-13/16" / 300mm	13-3/4" / 350mm	1

DOOR PULLL CHCP008

MANILLÓN CHCP008



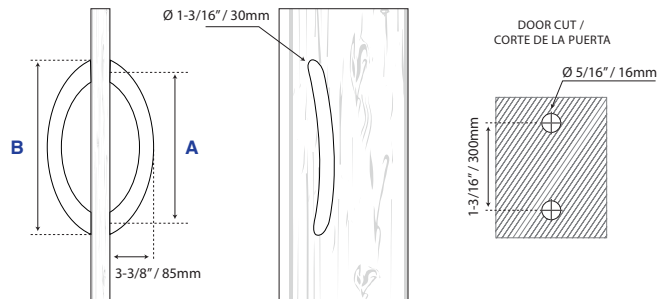
FEATURES / ESPECIFICACIONES:

- Material: Stainless Steel 304
- Finish: Satin
- Set (Int / Ext)
- Requires two 5/8" diameter holes
- For use Wood doors 1-3/8" a 2-1/4" thick
- Includes screws
- Material: Acero Inoxidable 304
- Acabados: Satin
- Manillón doble (Int / Ext)
- Requiere dos perforaciones de 16mm
- Para puertas de Madera con un espesor de 35 a 57mm
- Incluye tornillos

FINISH / ACABADO	CODE / CÓDIGO	SIZE / MEDIDA (A)	SIZE / MEDIDA (B)	
● SATIN US32D	CHCP008	13-3/4" / 350mm	8-3/8" / 212mm	1

DOOR PULLL PH061

MANILLÓN PH061



FEATURES / ESPECIFICACIONES:

- Rounded Ladder Pull
- Material: Stainless Steel 304
- Finish: Satin
- Single-side (Exterior)
- Requires two 3/8" diameter holes
- For use Wood doors 1-3/8" thick
- Includes screws
- Manillón redondo
- Material: Acero Inoxidable 304
- Acabados: Satin
- Manillón solo en Exterior
- Requiere dos perforaciones de 10mm
- Para puertas de Madera con un espesor de 35
- Incluye tornillos

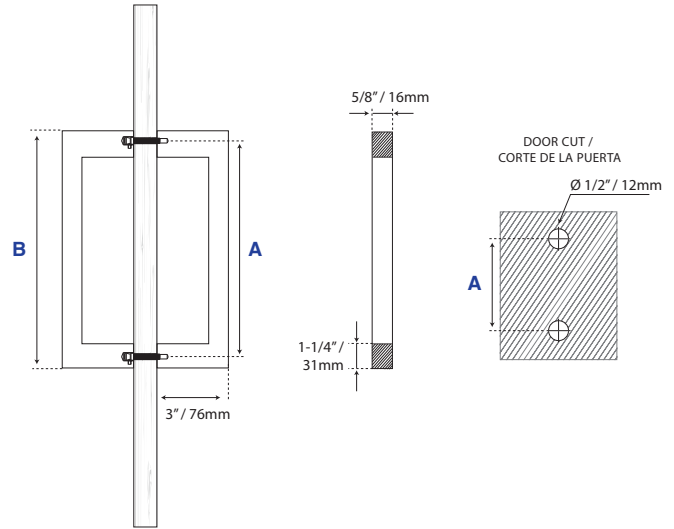
FINISH / ACABADO	SET	SIZE / MEDIDA (A)	SIZE / MEDIDA (B)
● SATIN US32D	PH061	1-3/16" / 300mm	1-7/16" / 370mm

PVD Finishes:

● Satin Brass / ● Rose Gold / ● GunMetal Grey / ● Blue / ● Iridescent / ● Black / ● Satin / ● Polished

DOOR PULL CHCP005

MANILLÓN CHCP005



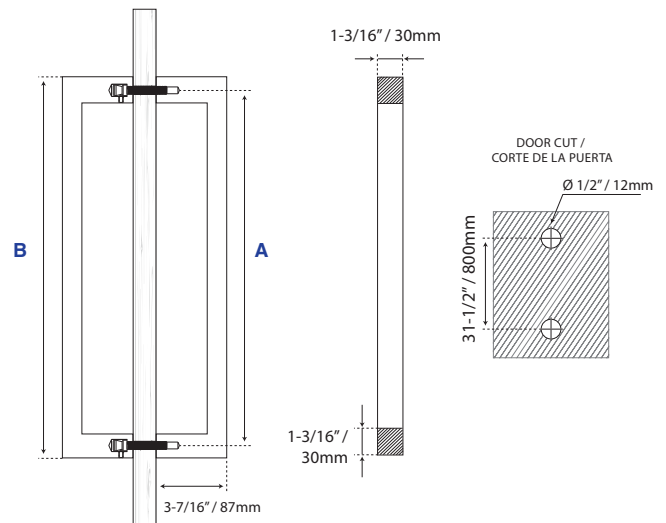
FEATURES / ESPECIFICACIONES:

- Square Ladder Pull
 - Material: Stainless Steel 304
 - Finish: Satin
 - Set (Int / Ext)
 - Requires two 1/2" diameter holes
 - For use Wood doors 1-3/8" a 2" thick
 - Includes screws
- Manillón cuadrado
 - Material: Acero Inoxidable 304
 - Acabados: Satin
 - Manillón doble (Int / Ext)
 - Requiere dos perforaciones de 12mm
 - Para puertas de Madera con un espesor de 35 a 50mm
 - Incluye tornillos

FINISH / ACABADO	SET	SIZE / MEDIDA (C) x (D) ☒	SIZE / MEDIDA (A)	SIZE / MEDIDA (B)
● SATIN US32D	CHCP005-300SSS	5/8" x 1-1/4" / 16 x 31mm	12" / 300mm	13-1/16" / 331mm
● SATIN US32D	CHCP005-500SSS	5/8" x 1-1/4" / 16 x 31mm	20" / 500mm	20-15/16" / 532mm
● SATIN US32D	CHCP005-800SSS	5/8" x 1-1/4" / 16 x 31mm	31-1/2" / 800mm	32-3/4" / 832mm

DOOR PULL CHCP027

MANILLÓN CHCP027



FEATURES / ESPECIFICACIONES:

- Square Ladder Pull
 - Material: Stainless Steel 304
 - Finish: Copper
 - Set (Int /Ext)
 - Requires two 1/2" diameter holes
 - For use Wood doors 1-3/8" a 2-3/16" thick
 - Includes screws
- Manillón cuadrado
 - Material: Acero Inoxidable 304
 - Acabados: Cobre
 - Manillón doble (Int / Ext)
 - Requiere dos perforaciones de 12mm
 - Para puertas de Madera con un espesor de 35 a 55mm
 - Incluye tornillos

FINISH / ACABADO	SET	SIZE / MEDIDA (C) x (D) ☒	SIZE / MEDIDA (A)	SIZE / MEDIDA (B)
● COPPER / COBRE	CHCP027-800CSS	1-3/16" x 1-3/16" (30x30mm)	31-1/2" / 800mm	32-5/8" / 828mm

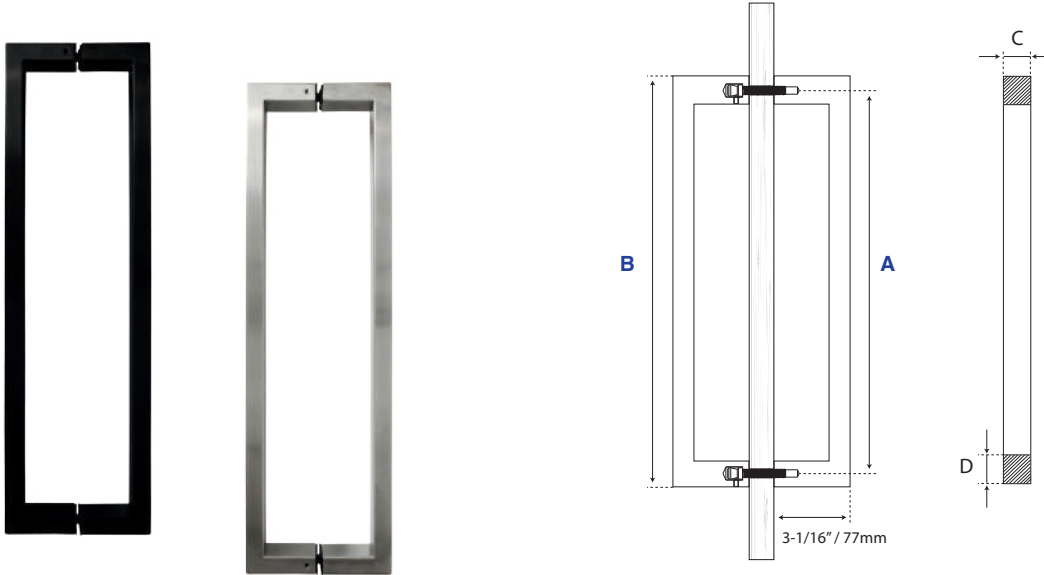
All measurements are approximate / Las medidas son aproximadas

PVD Finishes:

● Satin Brass / ● Rose Gold / ● GunMetal Grey / ● Blue / ● Iridescent / ● Black / ● Satin / ● Polished

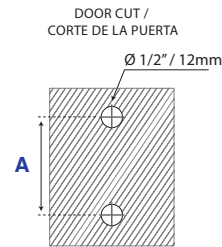
DOOR PULL CHCP011

MANILLÓN CHCP011



FEATURES / ESPECIFICACIONES:

- | | |
|---|---|
| <ul style="list-style-type: none"> · Square Ladder Pull · Material: Stainless Steel 304 · Finish: Satin, Polished, Black · Set (Int / Set) · Requires two 1/2" diameter holes · For use Wood doors 1-3/8" a 2" thick · Includes screws | <ul style="list-style-type: none"> · Manillón cuadrado · Material: Acero Inoxidable 304 · Acabados: Satin, Pulido y Negro · Manillón doble (Int / Ext) · Requiere dos perforaciones de 12mm · Para puertas de Madera con un espesor de 35 a 50mm · Incluye tornillos |
|---|---|



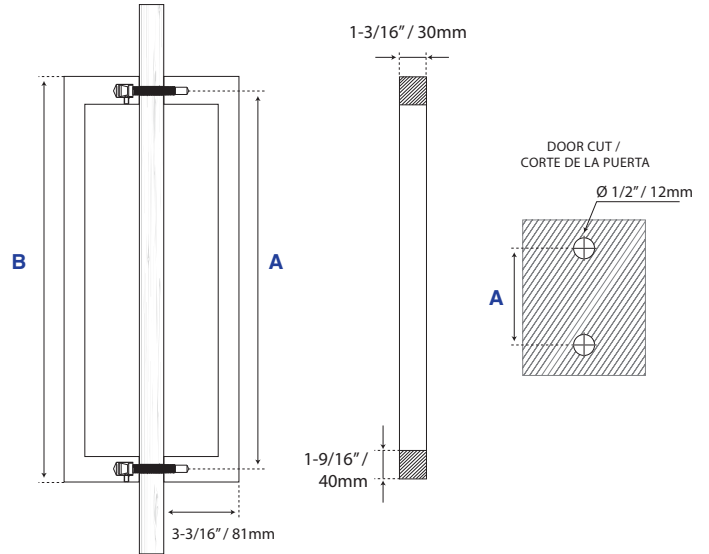
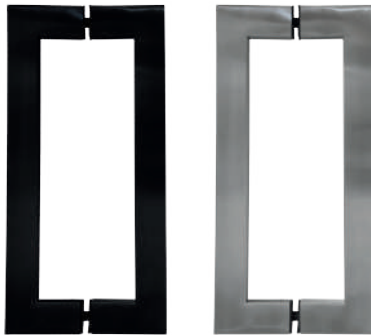
FINISH / ACABADO	SET	SIZE / MEDIDA (C) x (D)	SIZE / MEDIDA (A)	SIZE / MEDIDA (B)
● SATIN US32D ● POLISHED / PULIDO	CHCP011-150SSS CHCP011-150PSS	1" X 1" / 25.4 X 25.4mm	5-7/8" / 150mm	6-3/4" / 172mm
● SATIN US32D	CHCP011 -300	1-9/16" X 13/16" / 40 X 20mm	11-13/16" / 300mm	12-5/8" / 320mm
● SATIN US32D	CHCP011 -500	1-9/16" X 13/16" / 40 X 20mm	19-11/16" / 500mm	20-1/2" / 520mm
● SATIN US32D ● BLACK / NEGRO	CHCP011 -800 CHCP011 -800N	1-9/16" X 13/16" / 40 X 20mm	31-1/2" / 800mm	32-5/16" / 830mm

PVD Finishes:

● Satin Brass / ● Rose Gold / ● GunMetal Grey / ● Blue / ● Iridescent / ● Black / ● Satin / ● Polished

DOOR PULL CHCP004

MANILLÓN CHCP004



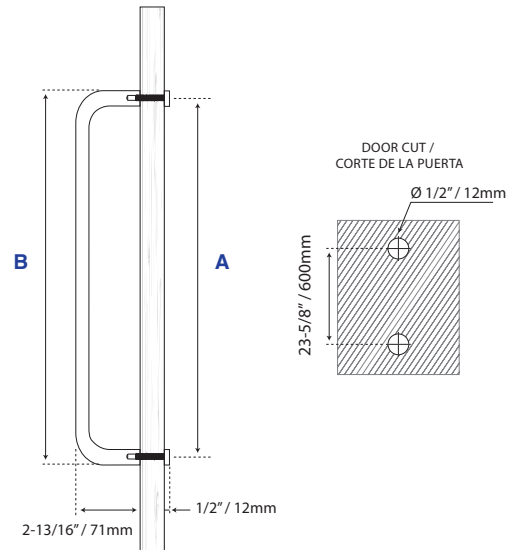
FEATURES / ESPECIFICACIONES:

- Square Ladder Pull
 - Material: Stainless Steel 304
 - Finish: Satin, Polished, Black
 - Set (Int / Set)
 - Requires two 1/2" diameter holes
 - For use Wood doors 1-3/8" a 2" thick
 - Includes screws
- Manillón cuadrado
 - Material: Acero Inoxidable 304
 - Acabados: Satin, Pulido y Negro
 - Manillón doble (Int / Ext)
 - Requiere dos perforaciones de 12mm
 - Para puertas de Madera con un espesor de 35 a 50mm
 - Incluye tornillos

FINISH / ACABADO	SET	SIZE / MEDIDA (A)	SIZE / MEDIDA (B)	SIZE / MEDIDA (C) x (D) ☒
● SATÍN US32D ● POLISHED / PULIDO	CHCP004-300SSS CHCP004-300PSS	11-13/16" / 300mm	13" / 330mm	1-9/16" x 1-3/16" (40x30mm)
● SATÍN US32D ● PÚLIDO US32	CHCP004-500SSS CHCP004-500PSS	19-11/16" / 500mm	21-1/4" / 540mm	1-9/16" x 1-3/16" (40x30mm)
● SATÍN US32D ● POLISHED / PULIDO ● BLACK / NEGRO	CHCP004-800SSS CHCP004-800PSS CHCP004-800N	31-1/2" / 800mm	32-11/16" / 830mm	1-9/16" x 1-3/16" (40x30mm)

DOOR PULL CHCP013-600

MANILLÓN CHCP013-600



FEATURES / ESPECIFICACIONES:

- "C" Rounded pull
 - Material: Stainless Steel 304
 - Finish: Satin, Polished, Black
 - Single-side (Exterior)
 - Requires two 1/2" diameter holes
 - For use Wood doors 1-3/8" a 2" thick
 - Includes screws
- Manillón tipo "C"
 - Material: Acero Inoxidable 304
 - Acabados: Satin, Pulido y Negro
 - Manillón solo en Exterior
 - Requiere dos perforaciones de 12mm
 - Para puertas de Madera con un espesor de 35 a 50mm
 - Incluye tornillos

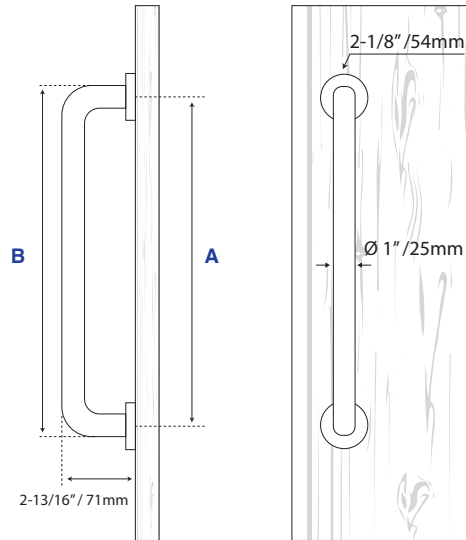
FINISH / ACABADO	SET	SIZE / MEDIDA (A)	SIZE / MEDIDA (B)	SIZE / MEDIDA (C) Ø
● SATÍN US32D	CHCP013-600	23-5/8" / 600mm	24-9/16" / 625mm	1" / 25.4mm

PVD Finishes:

● Satin Brass / ● Rose Gold / ● GunMetal Grey / ● Blue / ● Iridescent / ● Black / ● Satin / ● Polished

DOOR PULLL CHC009 / VS-031

MANILLÓN CHC009 / VS-031



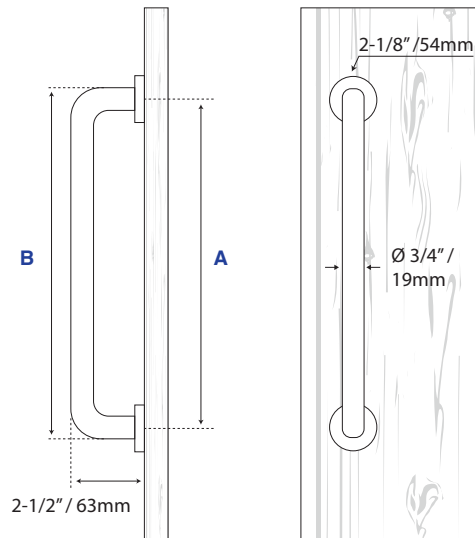
FEATURES / ESPECIFICACIONES:

- Rounded Ladder Pull
- Material: Stainless Steel 304
- Finish: Satin
- Single-side (Exterior)
- For use Wood doors min. 1-3/8" thick
- No cutting required
- Includes screws
- Manillón redondo
- Material: Acero Inoxidable 304
- Acabados: Satin
- Manillón solo en Exterior
- Para puertas de Madera con un espesor min. de 35
- No requiere corte
- Incluye tornillos

FINISH / ACABADO	CODE / CÓDIGO	SIZE / MEDIDA (A)	SIZE / MEDIDA (B)	SIZE / MEDIDA (C)	SIZE / MEDIDA (D)
● SATÍN US32D	CHC009	15-3/4" / 400mm	17-15/16" / 455mm	2-13/16" / 72mm	1-13/16" / 46mm
● SATÍN US32D	CHC009-600	23-5/8" / 600mm	26" / 660mm	2-13/16" / 72mm	1-13/16" / 46mm
● SATÍN US32D	VS-031	19-11/16" / 500mm	21-7/8" / 555mm	3-1/16" / 77mm	2-1/16" / 53mm

DOOR PULLL MAN-1/

MANILLÓN MAN-1/

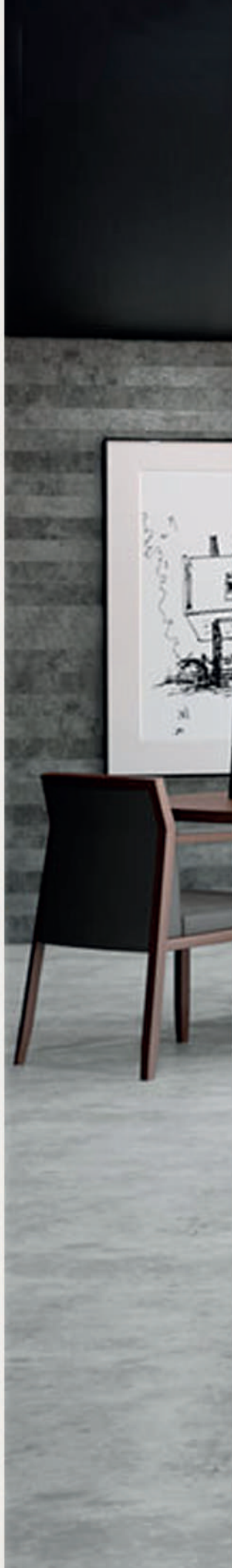


FEATURES / ESPECIFICACIONES:

- Rounded Ladder Pull
- Material: Stainless Steel 304
- Finish: Satin
- Single-side (Exterior)
- For use Wood doors min. 1-3/8" thick
- No cutting required
- Includes screws
- Manillón redondo
- Material: Acero Inoxidable 304
- Acabados: Satin
- Manillón solo en Exterior
- Para puertas de Madera con un espesor min. de 35
- No requiere corte
- Incluye tornillos

FINISH / ACABADO	CODE / CÓDIGO	SIZE / MEDIDA (A)	SIZE / MEDIDA (B)
● SATÍN US32D	MAN-1/150	5-7/8" / 149mm	8-1/16" / 204mm
● SATÍN US32D	MAN-1/200	7-7/8" / 200mm	10-1/16" / 255mm
● SATÍN US32D	MAN-1/250	7-7/8" / 303mm	11-15/16" / 303mm
● SATÍN US32D	MAN-1/300	13-15/16" / 354mm	11-13/16" / 300mm

All measurements are approximate / Las medidas son aproximadas



LNS
MANUFACTURING

JK07601

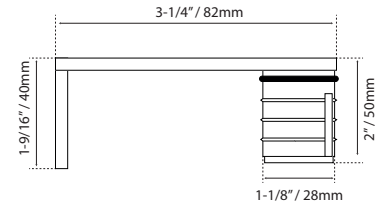
COMPONENTE PARA MANILLÓN MODULAR EN "L"



FEATURES / ESPECIFICACIONES:

- Material: Stainless Steel 304
- Material: Acero Inoxidable 304
- Finish: Satín
- Acabado: Satín
- For use on wood doors
- Para usar en puertas de madera
- Sold by set
- Se vende por juego

FINISH / ACABADO	CODE / CÓDIGO
SATÍN US32D	JK07601



JK07603

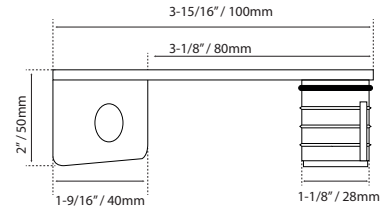
COMPONENTE PARA MANILLÓN MODULAR EN "V"



FEATURES / ESPECIFICACIONES:

- Material: Stainless Steel 304
- Material: Acero Inoxidable 304
- Finish: Satín
- Acabado: Satín
- For use on wood doors
- Para usar en puertas de madera
- Sold by set
- Se vende por juego

FINISH / ACABADO	CODE / CÓDIGO
SATÍN US32D	JK07603



JK07701

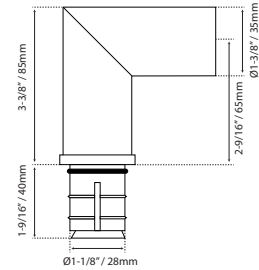
COMPONENTE PARA MANILLÓN MODULAR A 90°



FEATURES / ESPECIFICACIONES:

- Material: Stainless Steel 304
- Material: Acero Inoxidable 304
- Finish: Satín
- Acabado: Satín
- For use on wood doors
- Para usar en puertas de madera
- Sold by set
- Se vende por juego

FINISH / ACABADO	CODE / CÓDIGO
SATÍN US32D	JK07701



JK07702

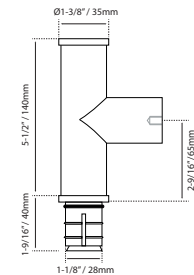
COMPONENTE PARA MANILLÓN MODULAR EN "T"



FEATURES / ESPECIFICACIONES:

- Material: Stainless Steel 304
- Material: Acero Inoxidable 304
- Finish: Satín
- Acabado: Satín
- For use on wood doors
- Para usar en puertas de madera
- Sold by set
- Se vende por juego

FINISH / ACABADO	CODE / CÓDIGO
SATÍN US32D	JK07702



JK07703

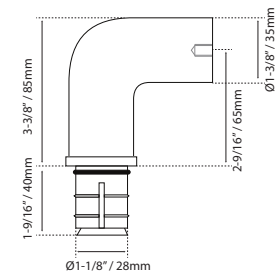
COMPONENTE PARA MANILLÓN MODULAR EN "U"



FEATURES / ESPECIFICACIONES:

- Material: Stainless Steel 304
- Material: Acero Inoxidable 304
- Finish: Satín
- Acabado: Satín
- For use on wood doors
- Para usar en puertas de madera
- Sold by set
- Se vende por juego

FINISH / ACABADO	CODE / CÓDIGO
SATÍN US32D	JK07703



JK2360035

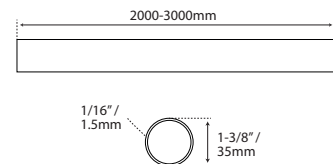
TUBO PARA MANILLÓN



FEATURES / ESPECIFICACIONES:

- Material: Stainless Steel 304
- Material: Acero Inoxidable 304
- Finish: Satín
- Acabado: Satín

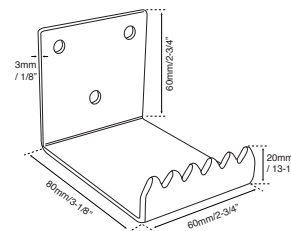
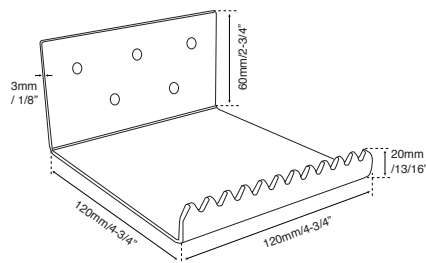
FINISH / ACABADO	CODE / CÓDIGO	Ø
SATÍN US32D	JK2360035	1-3/8" / 35mm





FOOT PULLL

JALADERA DE PIE



FEATURES / ESPECIFICACIONES:

FEATURES / ESPECIFICACIONES:

- | | |
|--|--|
| <ul style="list-style-type: none"> · Open your doors with your foot · Serrated edge for better grip · Wide platform for maximum traction on shoes · Material: 304 Stainless Steel · Finish: Satin · Door thickness: min. 1-3/8" · Easy installation | <ul style="list-style-type: none"> · Abre tus puertas con el pie · Borde dentado para un mejor agarre · Amplia plataforma para una máxima tracción en los zapatos · Material: Acero Inoxidable 304 · Acabado: Satín · Espesor de la puerta: min. 35mm · Fácil instalación |
|--|--|

FINISH / ACABADO	CODE / CÓDIGO	SIZE / MEDIDA	
● SATIN US32D	PT-000836	12X12cm	1
● SATIN US32D	PT-000837	6x8cm	1

All measurements are approximate / Las medidas son aproximadas